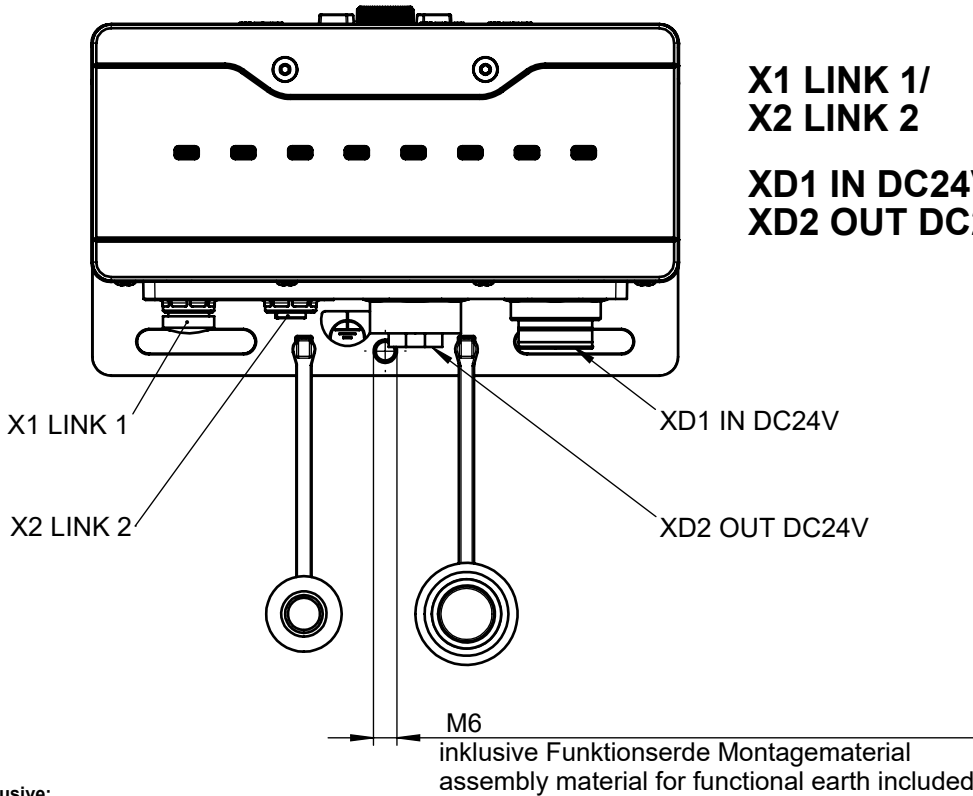


Technische Änderungen vorbehalten, alle Angaben ohne Gewähr / Subject to technical modifications; no responsibility is accepted for the accuracy of this information. © EUCHNER GmbH + Co. KG Maße in mm / Dimensions in mm



**X1 LINK 1/  
X2 LINK 2**

M12 D-coded  
(IEC 61076-2-101)

**XD1 IN DC24V/  
XD2 OUT DC24V**

7/8" Power

**Inklusive:**  
- Erdungsschraube M6x8  
(AC-FE-GS-M6X8-170020)

**Including:**  
- Grounding screw M6x8  
(AC-FE-GS-M6X8-170020)

**Betriebsanleitung beachten**  
(bei Abweichungen zwischen Datenblatt und Betriebsanleitung gelten die Daten des Datenblattes)  
**Please observe the operating instructions**  
(in case of disagreement between data sheet and operating instructions, the information of the data sheet are to be considered)

Bezeichnung Designation	Beschreibung	Description
BM	Busmodul	Bus module
E_G	Fehler generell	General error
E_SYS	Fehler System	System error
E_ML1	Fehler MLI1	Error MLI1
E_ML2	Fehler MLI2	Error MLI2
D_RUN	Diagnose Runmode	Diagnostics run mode
ACK_G	Fehlerquittierung generell	General error acknowledgement

**Input**

ETHERNET IP	Bit 7	Bit 6	Bit 5	Bit 4	Bit 3	Bit 2	Bit 1	Bit 0
1st Byte	BM_E_G	-	BM_E_SYS	-	-	BM_E_ML2	BM_E_ML1	BM_D_RUN
2nd Byte	Diagnose Byte							

**Output**

ETHERNET IP	Bit 7	Bit 6	Bit 5	Bit 4	Bit 3	Bit 2	Bit 1	Bit 0
1st Byte	BM_ACK_G	-	-	-	-	-	-	-