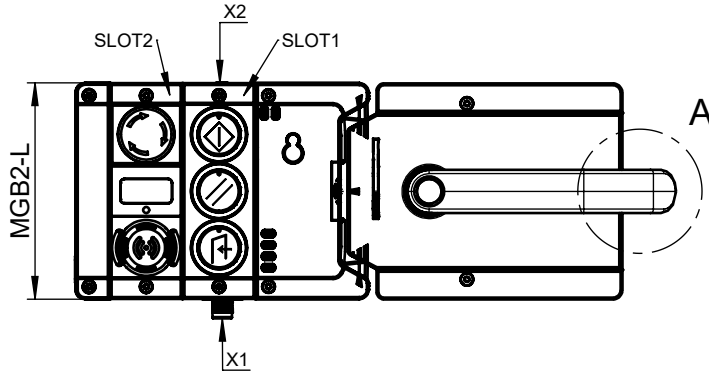


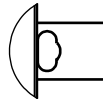
Maße in mm / Dimensions in mm  
© EUCHNER GmbH + Co. KG

...-R-...

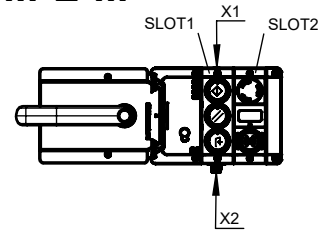


**Detail A**

Sperreinsatz im ausgefahrenen Zustand  
Automatic lockoutbar in "open" position.



...-L-...



**Inklusive:**

- Einlegeschild-Set 12,5x27mm (ohne Aufschrift)
- 1x rot
- 1x gelb
- 1x blau
- 1x schwarz

**Including:**

- Insertion plate-Set 12,5x27mm (without inscription)
- 1x red
- 1x yellow
- 1x blue
- 1x black



**MGB2-H + OPTION:**  
Bitte Datenblatt 2151301 beachten  
Please observe data sheet 2151301

**Betriebsanleitung beachten**

(bei Abweichungen zwischen Datenblatt und Betriebsanleitung gelten die Daten des Datenblattes)  
**Please observe the operating instructions**  
(in case of disagreement between data sheet and operating instructions, the information of the data sheet are to be considered)



	MGB2-L...	MSM... (SLOT1)	MSM... (SLOT2)	AC-MC... (X1)	AC-MC... (X2)	MGB2-H...	MGB-E...
MGB2-L2HE-MLI-U-MC-R-176875	156392	176651	174773	157024	157028	157021	100465
MGB2-L2HE-MLI-U-MC-L-176876	156392	176651	174773	157028	157024	157022	100465

**Übersicht der Kommunikationsdaten:**

**Overview of the communication data:**

**Input**

Ethernet <sup>1)</sup> standard	Bit 7	Bit 6	Bit 5	Bit 4	Bit 3	Bit 2	Bit 1	Bit 0
1st Byte	LM1_E_G	LM1_E_ER	LM1_E_SM1	LM1_E_SM0	-	LM1_I_UK	LM1_I_SK	LM1_D_RUN
2nd Byte	-	-	-	-	-	LM1_I_OL	LM1_I_OT	LM1_I_OD
3rd Byte	Diagnose Byte (pluggable)							
Ethernet <sup>1)</sup> standard	Bit 7	Bit 6	Bit 5	Bit 4	Bit 3	Bit 2	Bit 1	Bit 0
1st Byte	-	-	-	-	-	LM1_SM1_I_S3	LM1_SM1_I_S2	LM1_SM1_I_S1
Ethernet <sup>1)</sup> standard	Bit 7	Bit 6	Bit 5	Bit 4	Bit 3	Bit 2	Bit 1	Bit 0
1st Byte	LM1_SM2_E_S3	-	LM1_SM2_E_S1	-	-	LM1_SM2_I_S3	LM1_SM2_I_S3_E	LM1_SM2_I_S1
2nd Byte	Diagnose Byte (pluggable)							
Ethernet <sup>1)</sup> SAFE	Bit 7	Bit 6	Bit 5	Bit 4	Bit 3	Bit 2	Bit 1	Bit 0
	-	-	-	-	LM1_SM2_FI_S3	LM1_SM2_FI_ES	LM1_FI_UK	LM1_FI_SK

**Output**

Ethernet <sup>1)</sup> standard	Bit 7	Bit 6	Bit 5	Bit 4	Bit 3	Bit 2	Bit 1	Bit 0
1st Byte	LM1_ACK_G	LM1_ACK_ER	-	-	-	-	-	LM1_O_CL
Ethernet <sup>1)</sup> standard	Bit 7	Bit 6	Bit 5	Bit 4	Bit 3	Bit 2	Bit 1	Bit 0
1st Byte	-	-	LM1_SM1_O_H3_B	LM1_SM1_O_H2_B	LM1_SM1_O_H1_B	LM1_SM1_O_H3	LM1_SM1_O_H2	LM1_SM1_O_H1
Ethernet <sup>1)</sup> standard	Bit 7	Bit 6	Bit 5	Bit 4	Bit 3	Bit 2	Bit 1	Bit 0
1st Byte	-	-	-	LM1_SM2_O_H3_Rd_B	LM1_SM2_O_H3_Gn_B	LM1_SM2_O_J3	LM1_SM2_O_H3_Rd	LM1_SM2_O_H3_Gn
Ethernet <sup>1)</sup> SAFE	Bit 7	Bit 6	Bit 5	Bit 4	Bit 3	Bit 2	Bit 1	Bit 0
	-	-	-	-	-	-	-	LM1_FO_CL

<sup>1)</sup> Ethernet Protokoll in Abhängigkeit des verwendeten MBM Busmodul / Ethernet protocol according to the used MBM Busmodul

Technische Änderungen vorbehalten, alle Angaben ohne Gewähr / Subject to technical modifications; no responsibility is accepted for the accuracy of this information.