

EUCHNER

Operating Instructions

Safety System
MGBS-P-L.-AR... Unicode/Multicode

EN

Contents


1.	About this document	4
1.1.	Scope.....	4
1.2.	Target group	4
1.3.	Key to symbols.....	4
1.4.	Supplementary documents	4
2.	Correct use	5
3.	Description of the safety function	6
4.	Exclusion of liability and warranty	8
5.	General safety precautions	8
6.	Function	9
6.1.	Guard lock monitoring	9
6.2.	Door position monitoring output (OD).....	9
6.3.	Diagnostic monitoring output (OI)	9
6.4.	Guard lock monitoring output (OL).....	9
6.5.	Version MGBS Extended.....	9
6.6.	Guard locking for version MGBS-L1	9
6.7.	Guard locking for version MGBS-L2	10
6.8.	Switching states	10
7.	System overview	11
7.1.	Locking module MGBS-P-... (optionally with escape release).....	11
7.2.	Handle module MGBS-H-...	11
7.3.	Inner door handle AE-R-S1-... (for variants with escape release).....	11
7.4.	Dimension drawing (example illustration).....	12
7.5.	Drilling pattern (example illustration)	13
8.	Manual release	14
8.1.	Auxiliary release and auxiliary key release	14
8.1.1.	Actuating auxiliary release	14
8.1.2.	Actuating auxiliary key release	14
8.2.	Emergency release	15
8.2.1.	Actuating emergency release	15
8.3.	Escape release (optional)	16
8.3.1.	Actuating escape release	16
8.4.	Wire front release (bowden)	17
8.4.1.	Laying wire front release.....	17
8.5.	Lockout mechanism.....	17
9.	Changing actuating direction of the locking module	18

10.	Mounting	19
10.1.	Mounting examples.....	19
10.2.	Mounting lens.....	20
10.3.	Preparation for inner door handle AE-R-S1.....	21
11.	Electrical connection	22
11.1.	Notes about UL	23
11.2.	Safety in case of faults.....	23
11.3.	Fuse protection for power supply	23
11.4.	Requirements for connecting cables.....	24
11.5.	Maximum cable lengths.....	25
11.5.1.	Determining cable lengths using the example table.....	26
11.6.	Connector assignment of locking module MGBS-...-AR-...-SAB-... with plug connectors 2 x M12.....	27
11.7.	Connector assignment of locking module MGBS-...-AR-...-SH-... with plug connector M23 (RC18).....	27
11.8.	Connector assignment of Y-distributor	28
11.9.	Connection of a single MGBS-AR	29
11.10.	Connection of several MGBS-AR in a switch chain	29
11.11.	Notes on operation on an AR evaluation unit	31
11.12.	Notes on operation with safe control systems.....	31
11.13.	Connection of guard locking control	32
11.13.1.	Guard locking control for variants with IMM connection	32
11.13.2.	Guard locking control for variants without IMM connection.....	32
12.	Setup	33
12.1.	LED displays	33
12.2.	Teach-in function for handle module (only for unicode evaluation)	33
12.2.1.	Teaching-in handle module	34
12.2.2.	Teach-in function with series connection, replacing and teaching-in device	34
12.3.	Functional check.....	35
12.3.1.	Mechanical function test.....	35
12.3.2.	Electrical function test.....	35
13.	System status table	36
14.	Technical data	38
14.1.	Technical data for locking module MGBS-AR.....	38
14.1.1.	Typical system times.....	40
14.2.	Radio frequency approvals.....	41
14.3.	Dimension drawings for variants	42
15.	Ordering information and accessories	44
16.	Inspection and service	44
17.	Service	44
18.	Declaration of conformity	44

1. About this document

1.1. Scope






These operating instructions are valid for all MGBS-P-L.-AR... of version V1.1.X. These operating instructions, the document *Safety information* and any available data sheet form the complete user information for your device.

	<p>Important!</p> <p>Make sure to use the operating instructions valid for your product version. Please contact the EUCHNER service team if you have any questions.</p>
---	--

1.2. Target group






Design engineers and installation planners for safety systems on machines, as well as setup and servicing staff possessing special expertise in handling safety components.


1.3. Key to symbols

Symbol/depiction	Meaning
	Printed document
	Document is available for download at www.euchner.com
	This section is applicable only if the memory card is used
 DANGER WARNING CAUTION	<p>Safety precautions</p> <p>Danger of death or severe injuries</p> <p>Warning about possible injuries</p> <p>Caution slight injuries possible</p>
 NOTICE Important!	<p>Notice about possible device damage</p> <p>Important information</p>
Tip	Useful information

1.4. Supplementary documents

The overall documentation for this device consists of the following documents:

Document title (document number)	Contents	
Safety information (2525460)	Basic safety information	
Operating instructions (2527246)	(this document)	
Declaration of conformity	Declaration of conformity	
Possibly available data sheet	Item-specific information about deviations or additions	 

	<p>Important!</p> <p>Always read all documents to gain a complete overview of safe installation, setup and use of the device. The documents can be downloaded from www.euchner.com. For this purpose enter the doc. no. in the search box.</p>
---	--

2. Correct use

The safety system MGBS consists at minimum of one locking module MGBS-P-L.-AR... and one handle module MGBS-H... and is an interlocking device with guard locking (type 4). Devices with unicode evaluation possess a high coding level, devices with multicode evaluation possess a low coding level.

In combination with a movable guard and the machine control, this safety component prevents the guard from being opened while a dangerous machine function is being performed.

This means:

- › Starting commands that cause a dangerous machine function must become active only when the guard is closed and locked.
- › Guard locking must not be released until the dangerous machine function has ended.
- › Closing and locking a guard must not cause automatic starting of a dangerous machine function. A separate start command must be issued. For exceptions, refer to EN ISO 12100 or relevant C-standards.

Devices from this series are also suitable for process protection.

Before the device is used, a risk assessment must be performed on the machine, e.g. in accordance with the following standards:

- › EN ISO 13849-1
- › EN ISO 12100
- › EN IEC 62061

Correct use includes observing the relevant requirements for installation and operation, particularly based on the following standards:

- › EN ISO 13849-1
- › EN ISO 14119
- › EN IEC 60204-1

The safety system MGBS is only allowed to be operated in conjunction with the intended EUCHNER handle modules and the related connection components and accessories from EUCHNER.

On the modification of system components, EUCHNER provides no warranty for function.

Locking modules with the configuration MGBS-P-...-AR can be integrated into an AR switch chain. Connection of several devices in an AR switch chain is permitted only using devices intended for series connection in an AR switch chain. Check the operating instructions for the related device. A maximum of 20 safety switches are allowed to be operated in a switch chain.



Important!

- › The user is responsible for the proper integration of the device into a safe overall system. For this purpose, the overall system must be validated, e.g. in accordance with EN ISO 13849-1.
- › Correct use requires observing the permissible operating parameters (see chapter 14. *Technical data on page 38*).
- › If a data sheet is included with the product, the information on the data sheet applies.
- › It is only allowed to use components that are permissible in accordance with the table below.

Table 1: Possible combinations for MGBS components

Locking module	Handle module	
	MGBS-H...	
MGBS...	●	
Key to symbols	●	Combination possible



NOTICE

For information about combination with an AR evaluation unit, please refer to chapter 11.10. Connection of several MGBS-AR in a switch chain on page 29.

3. Description of the safety function

Devices from this series feature the following safety functions:

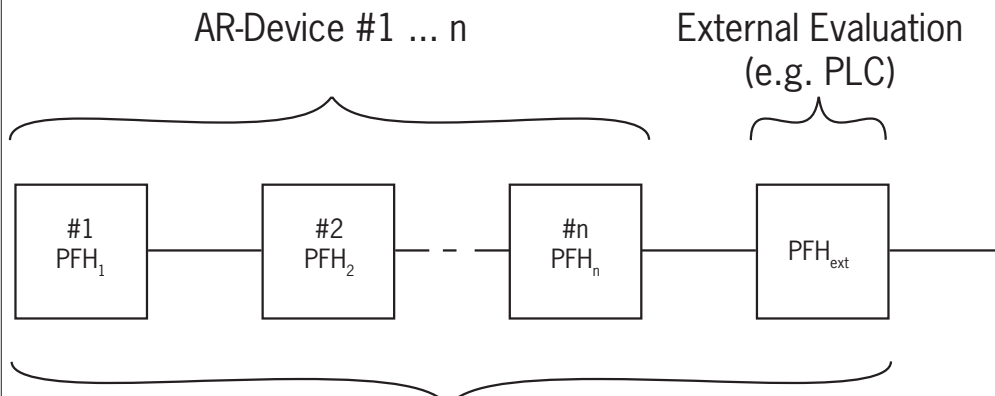
**Guard lock monitoring
 (interlocking device with guard locking according to EN ISO 14119)**

- Safety function (see chapter 6.8. Switching states on page 10):
 - The safety outputs are switched off when guard locking is released (monitoring of the locking element).
 - The safety outputs are switched off when the guard is open (monitoring of the door position).
 - The guard locking can be activated only if the handle module is located in the switch head (prevention of inadvertent locking position (faulty closure protection)).
 - The following additionally applies in an AR series connection: The safety outputs are switched on only when the device receives a corresponding signal from its predecessor in the chain.
- Safety characteristics: category, Performance Level, PFH (see chapter 14. Technical data on page 38).



NOTICE

You can regard the complete AR device chain as one subsystem during calculation. The following calculation method applies to the PFH value:



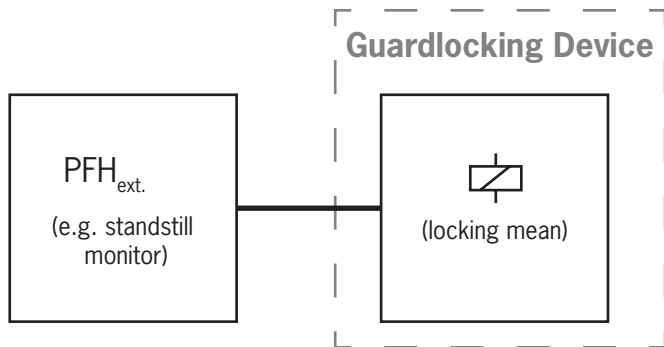
$$PFH_{ges} = \sum_{k=1}^n PFH_k + PFH_{ext}$$

Control of guard locking (applies only to guard locking devices according the closed-circuit current principle)

If the device is used as guard locking for personnel protection, control of guard locking must be regarded as a safety function.

The device does not feature a safety characteristic for control of guard locking, because the guard locking solenoid is completely disconnected from outside the device (no control function within the device). It therefore does not contribute to the failure probability.

The safety level for control of guard locking is defined only by the external control (e.g. $PFH_{D, ext.}$ for the standstill monitor).



The following applies to devices with emergency stop:

Emergency stop (emergency stop device according to EN ISO 13850)

- › Safety function: emergency stop function
- › Safety characteristics: B10D value (see associated data sheet)

4. Exclusion of liability and warranty

In case of failure to comply with the conditions for correct use stated above, or if the safety regulations are not followed, or if any servicing is not performed as required, liability will be excluded and the warranty void.

5. General safety precautions

Locking modules fulfill personnel protection functions. Incorrect installation or tampering can lead to fatal injuries to personnel.

Check the safe function of the guard particularly

- › after any setup work
- › after the replacement of a system component
- › after an extended period without use
- › after every fault.

Independent of these checks, the safe function of the guard should be checked at suitable intervals as part of the maintenance schedule.



WARNING

Danger to life due to improper installation or due to bypassing (tampering). Safety components fulfill a personnel protection function.

- › Safety components must not be bypassed, turned away, removed or otherwise rendered ineffective. On this topic pay attention in particular to the measures for reducing the possibility of bypassing according to EN ISO 14119:2025, section 8.
- › The switching operation may be triggered only by handle modules designated for this purpose.
- › Prevent bypassing by means of replacement handle modules (only for multicode evaluation). For this purpose, restrict access to handle modules and to keys for releases, for example.
- › Mounting, electrical connection and setup only by authorized personnel possessing the following knowledge:
 - specialist knowledge in handling safety components
 - knowledge about the applicable EMC regulations
 - knowledge about the applicable regulations on operational safety and accident prevention.



Important!

Prior to use, read the operating instructions and keep these in a safe place. Ensure the operating instructions are always available during mounting, setup and servicing. EUCHNER cannot provide any warranty in relation to the readability of the CD for the storage period required. For this reason you should archive a printed copy of the operating instructions. You can download the operating instructions from www.euchner.com.

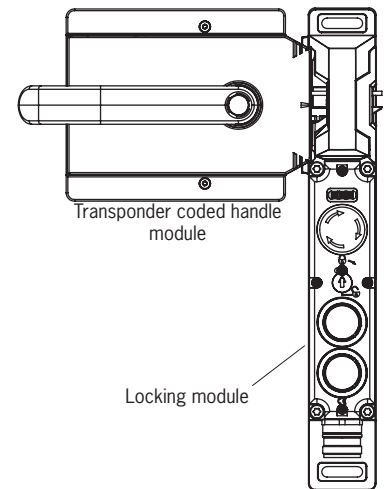
6. Function

The device permits the locking of movable guards.

The system consists at minimum of the following components: coded handle module (transponder) and locking module.


Whether the locking module learns the complete transponder code (unicode) or not (multicode) depends on the respective version.

- ▶ **Devices with unicode evaluation:** The handle module must be assigned to the locking module by a teach-in operation so that it is detected by the system. This unambiguous assignment ensures a particularly high level of protection against tampering. The system thus possesses a high coding level.
- ▶ **Devices with multicode evaluation:** Unlike systems with unicode evaluation, on multicode devices a specific code is not requested but instead it is only checked whether the handle module is of a type that can be detected by the system (multicode evaluation). There is no exact comparison of the transponder code with the taught-in code in the safety switch (unicode evaluation). The system possesses a low coding level.




The bolt tongue on the handle module is inserted into the locking module when the guard is closed. When the operating distance is reached, power is supplied to the handle module by the locking module and data are transferred.

If a permissible code is detected, the safety outputs  are switched on.

The safety outputs  and the monitoring output (OL) are switched off when the guard is released.

In the event of a fault in the locking module, the safety outputs  are switched off and the DIA LED illuminates red. The occurrence of faults is detected at the latest on the next demand to close the safety outputs (e.g. on starting).

6.1. Guard lock monitoring

All versions feature two safe outputs for guard lock monitoring. The safety outputs  (F01A and F01B) are switched off when guard locking is released.

6.2. Door position monitoring output (OD)

The door position monitoring output is switched on as soon as the door handle is inserted into the switch head (state: guard closed and not locked). The door position monitoring output also remains switched on when guard locking is active.

6.3. Diagnostic monitoring output (OI)

The diagnostic monitoring output is switched on in the event of a fault (switch-on condition as for DIA LED).

6.4. Guard lock monitoring output (OL)

The guard lock monitoring output is switched on when guard locking is active.

6.5. Version MGBS Extended

Some versions contain additional controls/indicators in the housing cover. Please refer to the corresponding data sheet for further information.

6.6. Guard locking for version MGBS-L1

(guard locking actuated by spring force and released by power-ON)

Activating guard locking: close guard; no voltage at the solenoid.

Releasing guard locking: apply voltage to the solenoid.

The spring-operated guard locking functions in accordance with the closed-circuit current principle. If the voltage is interrupted at the solenoid, guard locking remains active and the guard cannot be opened directly.



Important!

If the guard is open when the power supply is interrupted and is then closed, guard locking is activated. This can lead to persons being locked in unintentionally.

The bolt tongue on the handle module cannot be pulled out of the locking module and the guard is locked as long as the guard locking pin is extended.

If voltage is applied to the guard locking solenoid, the guard locking pin is retracted and the bolt tongue on the handle module is released. The guard can be opened.

6.7. Guard locking for version MGBS-L2

(guard locking actuated by power-ON and released by spring force)



Important!

- ▶ Guard locking devices according to the open-circuit current principle are not intended for protecting personnel.
- ▶ Use as guard locking for personnel protection is possible only in special cases, after strict assessment of the accident risk (see EN ISO 14119:2025, section 6.6.1)!

Activating guard locking: apply voltage to the solenoid.

Releasing guard locking: disconnect voltage from the solenoid.

The magnetically actuated guard locking operates in accordance with the open-circuit current principle. If the voltage is interrupted at the solenoid, guard locking is released and the guard can be opened directly.

The guard can be opened as long as no voltage is applied to the guard locking solenoid.

If the voltage is applied to the guard locking solenoid, the guard locking pin is held in the extended position and the guard is locked.

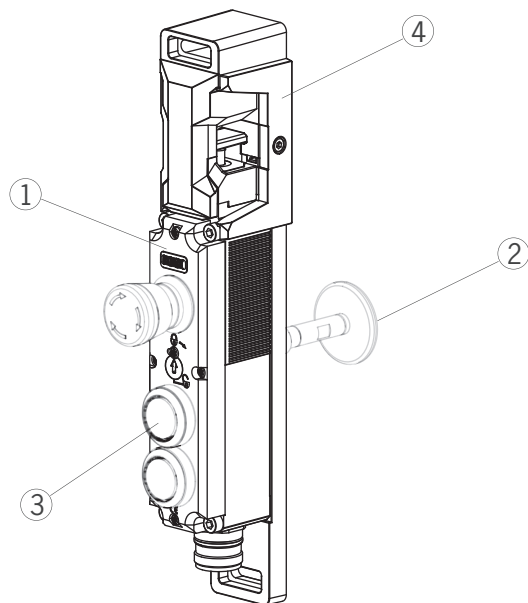
6.8. Switching states

The detailed switching states for your locking module can be found in the system status table. All safety outputs, monitoring outputs and display LEDs are described there.

	Guard closed and locked	Guard closed and not locked	Guard open
Voltage on guard locking solenoid MGBS-L1	off	on	(irrelevant)
Voltage on guard locking solenoid MGBS-L2	on	off	(irrelevant)
Safety outputs F01A and F01B	on	off	off
Guard lock monitoring output OL	on	off	off
Door position monitoring output OD	on	on	off

7. System overview

7.1. Locking module MGBS-P-... (optionally with escape release)



Key:

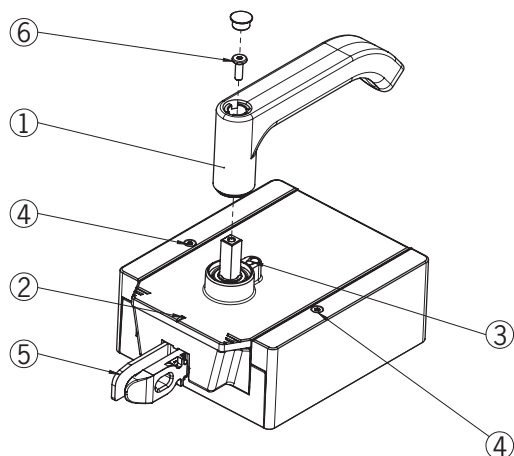
- ① Locking module or interlocking module
- ② Optionally with escape release
- ③ Optionally with Extended version
- ④ Stop plate



NOTICE

- Depending on the version, additional controls and indicators may be integrated.
- Depending on the version, a mounting plate can be included. See associated data sheet.

7.2. Handle module MGBS-H-...



Key:

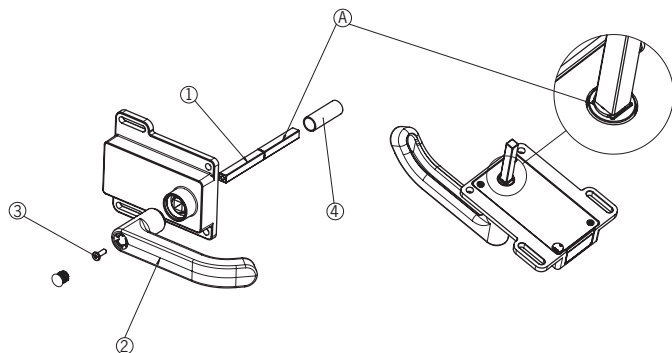
- ① Door handle
- ② Marking for adjustment
- ③ Locking pin for changing the rotating direction of the door handle
- ④ Locking screws T10 for housing cover
- ⑤ Bolt tongue
- ⑥ Fixing screw



NOTICE

- Depending on the version, a mounting plate can be included. See associated data sheet.

7.3. Inner door handle AE-R-S1-... (for variants with escape release)



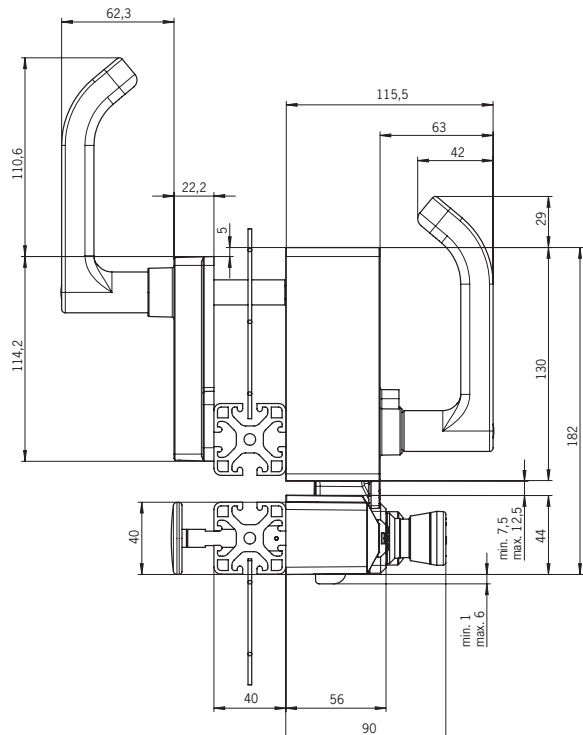
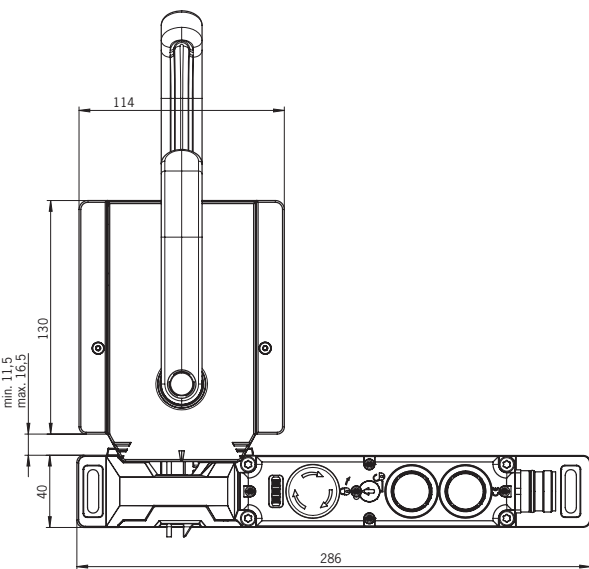
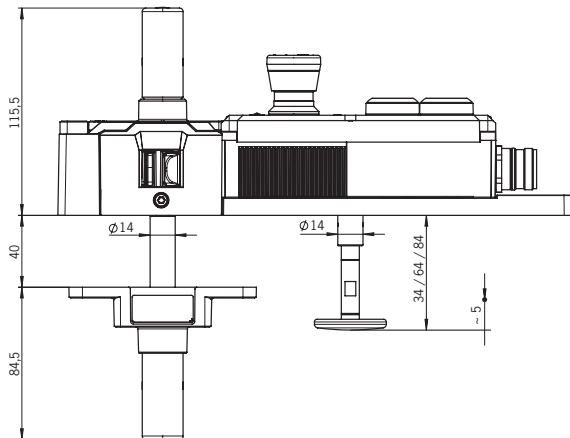
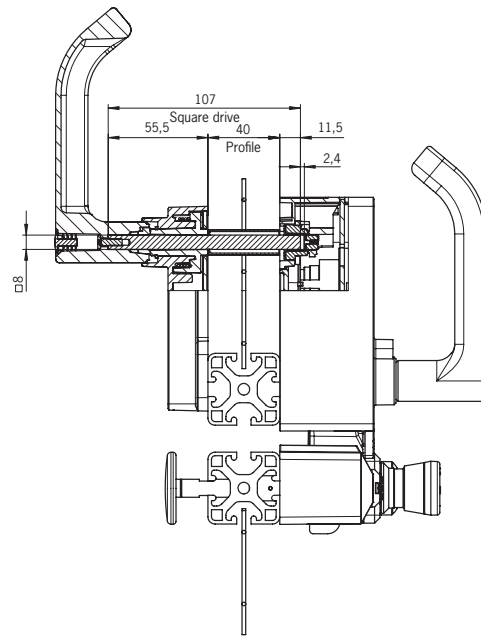
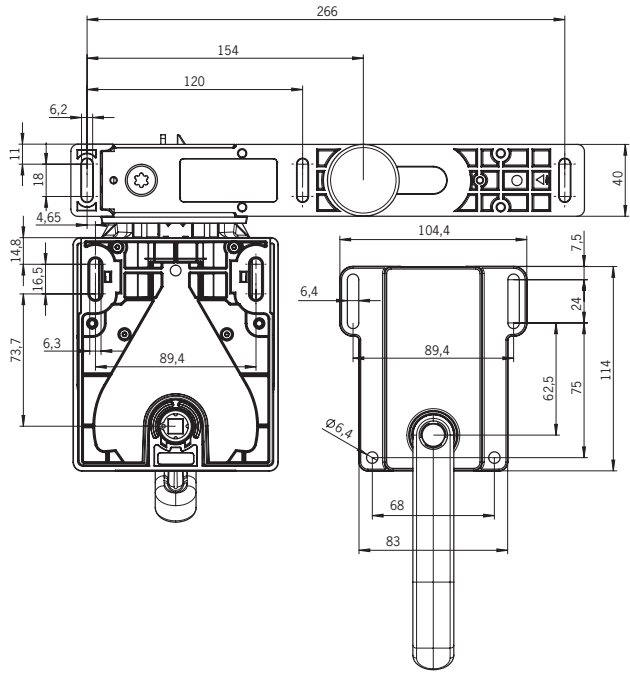
Key:

- A Snap ring
- ① Actuation axis
- ② Door handle
- ③ Fixing screw
- ④ Protective sleeve



NOTICE

- Depending on the version, a mounting plate can be included. See associated data sheet.



7.4. Dimension drawing (example illustration)

8. Manual release



Important!

No further release functions can be retrofitted on Extended variants with control elements in position 1 (S1) and position 2 (S2).

Some situations require guard locking to be released manually (e.g. malfunctions or an emergency). A function test should be performed after release.

Further information on this topic can be found in the standard EN ISO 14119:2025, section 7.2.3. The device can feature the following release functions:

8.1. Auxiliary release and auxiliary key release

In the event of malfunctions, the guard locking can be released with the auxiliary release or the auxiliary key release irrespective of the state of the solenoid.

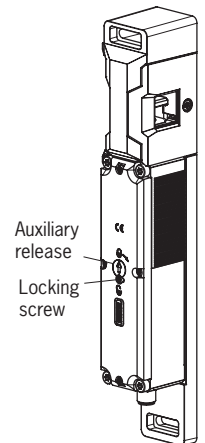
The safety outputs \overline{TP} are switched off when the auxiliary release or the auxiliary key release is actuated. Use the safety outputs \overline{TP} to generate a stop command.

The monitoring output OL is switched off; OD can assume an undefined state. Open the guard and close it again after re-setting the auxiliary release. The device will then operate normally again.



Important!

- ▶ The bolt tongue on the handle module must not be under tensile stress during manual release.
- ▶ After use, reset the auxiliary release and screw in and seal the locking screw (with sealing lacquer, for example).
- ▶ The auxiliary key release must not be used to lock the locking module during servicing to prevent activation of guard locking, for example.
- ▶ Loss of the release function due to mounting errors or damage during mounting.
- ▶ Check the release function every time after mounting.
- ▶ Observe the notes on any associated data sheets.

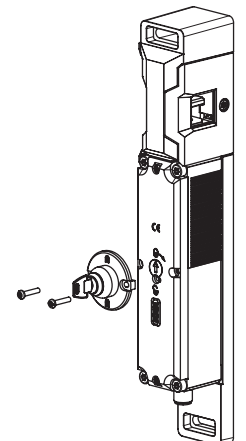


8.1.1. Actuating auxiliary release

1. Unscrew locking screw.
 2. Using a screwdriver, turn the auxiliary release to α in the direction of the arrow.
- ➔ Guard locking is released.

8.1.2. Actuating auxiliary key release

On devices with auxiliary key release (can be retrofitted), simply turn the key to release. Function as for auxiliary release. For mounting, see the auxiliary key release supplement.



8.2. Emergency release

This permits opening of a locked guard from outside the danger area without tools. For mounting, see the mounting supplement.



Important!



- › It must be possible to operate the emergency release manually from outside the protected area without tools.
- › The emergency release must possess a marking indicating that it may be used only in an emergency.
- › The handle module must not be under tensile stress during manual release.
- › The emergency release must be sealed or the misuse of the release function must be prevented in the control system.
- › The release function meets all other requirements from EN ISO 14119.
- › The emergency release meets the requirements of Category B according to EN ISO 13849-1.
- › Loss of the release function due to mounting errors or damage during mounting.
- › Check the release function every time after mounting.
- › Observe the notes on any associated data sheets.

8.2.1. Actuating emergency release

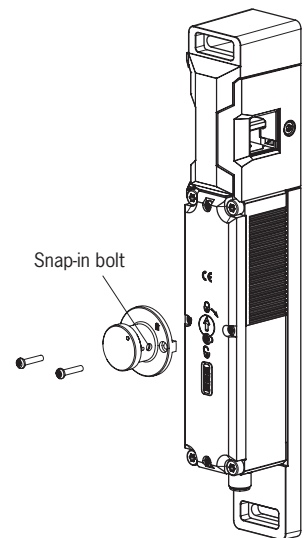
› Turn the emergency release clockwise until it clicks into place.

➔ Guard locking is released.

To reset, press the snap-in bolt inward using a small screwdriver or similar tool and turn the emergency release back.

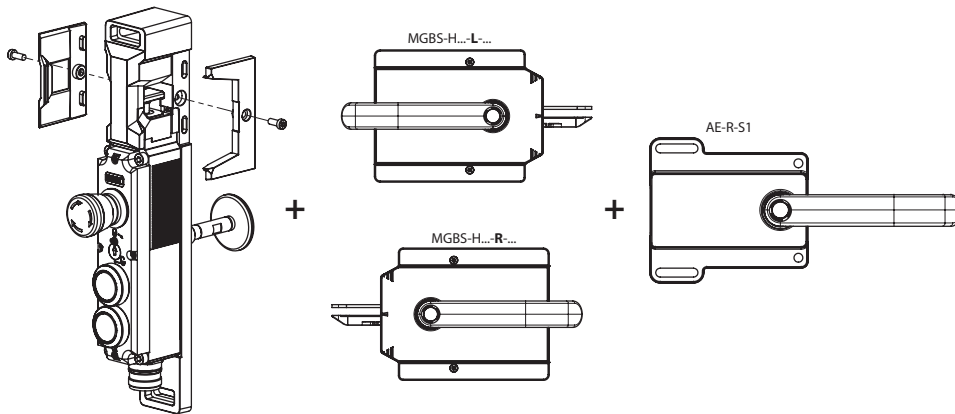
The safety outputs  are switched off when the emergency release is actuated. Use the safety outputs  to generate a stop command.

The monitoring output OL is switched off; OD can assume an undefined state. Open the guard and close it again after resetting the emergency release. The device will then operate normally again.



8.3. Escape release (optional)

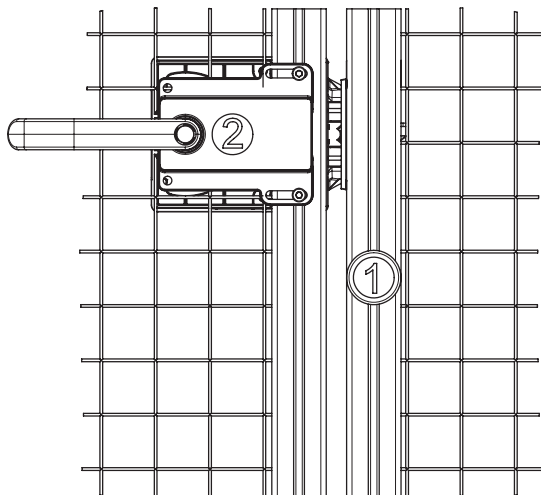
This permits opening of a locked guard from the danger area without tools (see chapter 14.3. *Dimension drawings for variants on page 42*).



Important!

- ▶ It must be possible to actuate the escape release manually from inside the protected area without tools.
- ▶ It must not be possible to reach the escape release from the outside.
- ▶ The actuator must not be under tensile stress during manual release.
- ▶ The escape release meets the requirements of Category B according to EN ISO 13849-1:2015.

8.3.1. Actuating escape release



- ① Press the red release knob to the end stop.
➔ Guard locking is released.
- ② Actuate inner door handle.

8.4. Wire front release (bowden)

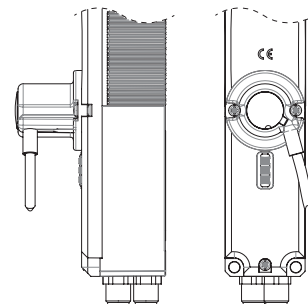
Release via a pull wire. Depending on the type of attachment, the wire front release can be used as an emergency release or escape release.

The following applies to non-latching wire front releases.

If the release is to be used as an emergency release, one of the following measures must be taken (see EN ISO 14119:2025, section 6.9.3):

- › Install the release so that it can be reset only with the aid of a tool.
- › Alternatively, the reset can be performed at the control system level. E.g. by means of a plausibility check (status of the safety outputs does not match the guard locking control signal).

The emergency-release guidelines in chapter 8.2 on Page 15 apply irrespective of this information.



Important!

- › The wire front release (bowden) meets the requirements of Category B according to EN ISO 13849-1.
- › The correct function depends on the laying of the pull wire and the attachment of the pull handle, and this is the responsibility of the plant manufacturer.
- › The handle module must not be under tensile stress during manual release.

8.4.1. Laying wire front release

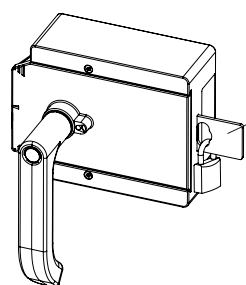


Important!

- › Loss of the release function due to mounting errors, damage or wear.
- › Check the release function every time after mounting.
- › When routing the wire front release, ensure that it operates smoothly.
- › Observe the min. bending radius (100 mm) and minimize the number of bends.
- › The locking module must not be opened.
- › Observe the notes on the associated data sheets.

8.5. Lockout mechanism

The lockout mechanism can be secured with padlocks (see Fig. 1). This is intended to prevent people from being locked in unintentionally. The lockout mechanism does not fulfill any safety function.



Automatically extending lockout mechanism (optional)
Padlock \varnothing min. 6 mm, \varnothing max. 10 mm

Notice:

You can fit a maximum of 3 locks \varnothing 8 mm per lockout mechanism.

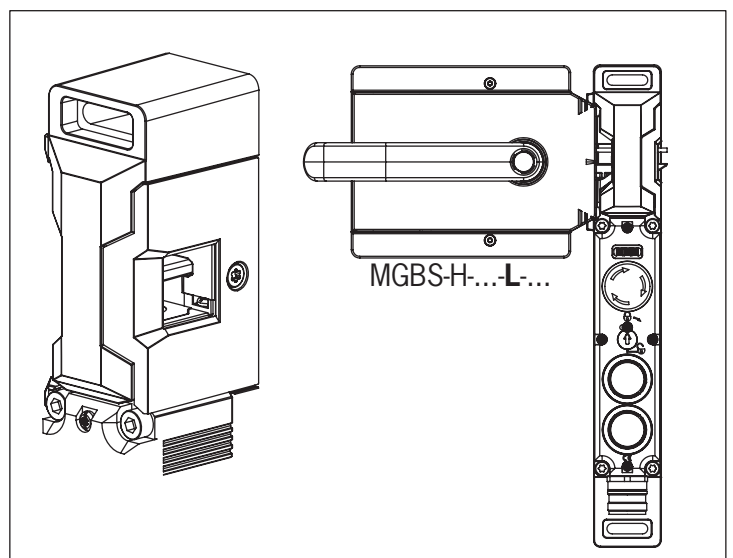
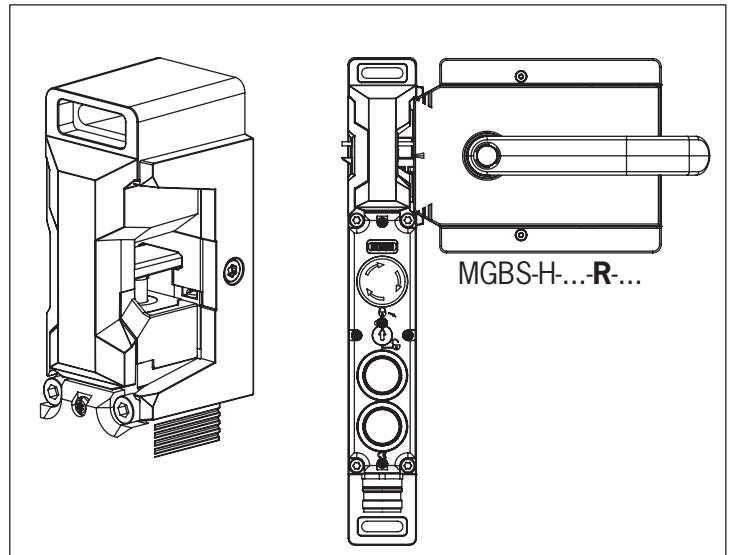
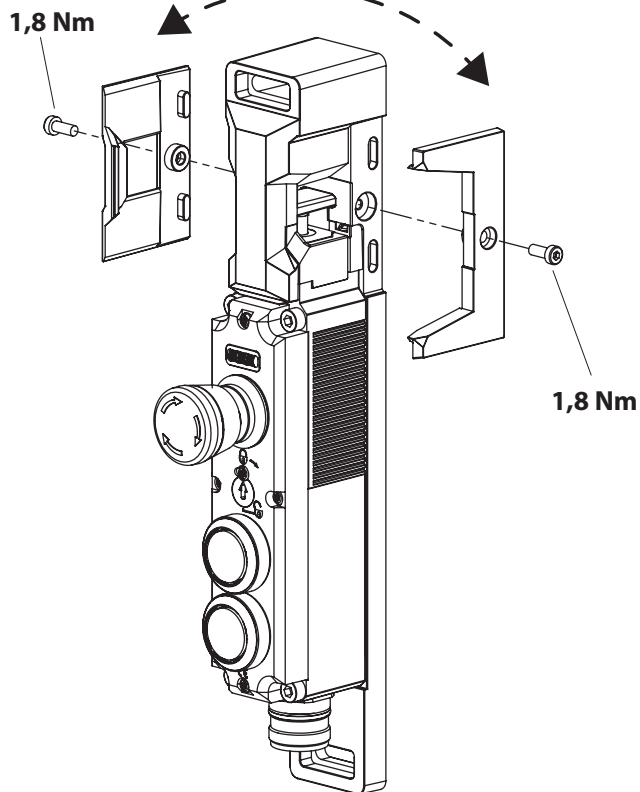
Fig. 1: Lockout mechanism secured with padlock

9. Changing actuating direction of the locking module



NOTICE

- › When using sliding doors, you are recommended to use the door knob AY-DKB...
- › When changing the actuating direction, please use a screwdriver (TX20).
- › The actuating direction of handle module MGBS-H... cannot be changed.



10. Mounting



CAUTION

Locking modules must not be bypassed (bridging of contacts), turned away, removed or otherwise rendered ineffective.

- ▶ Observe EN ISO 14119:2025, section 8, for information about reducing the possibilities for bypassing an interlocking device.



NOTICE

Risk of damage to equipment and malfunctions as a result of incorrect installation.

- ▶ The bolt tongue must not be used as a door stop.
- ▶ The locking module's stop plate may be used as a stop plate only for hinged doors.
- ▶ A separate, additional door stop must be used on sliding doors.
- ▶ Observe EN ISO 14119:2025, sections 6.2 and 6.3, for information about mounting the locking module and the handle module.
- ▶ Protect the device/the system/the locking module head against damage, as well as penetrating foreign objects such as swarf, sand and blasting shot, etc.
- ▶ Observe the tightening torque for mounting the locking module (max. 1.4 Nm).
- ▶ With two-leaf hinged doors, one of the two door leaves must also be latched mechanically.

10.1. Mounting examples

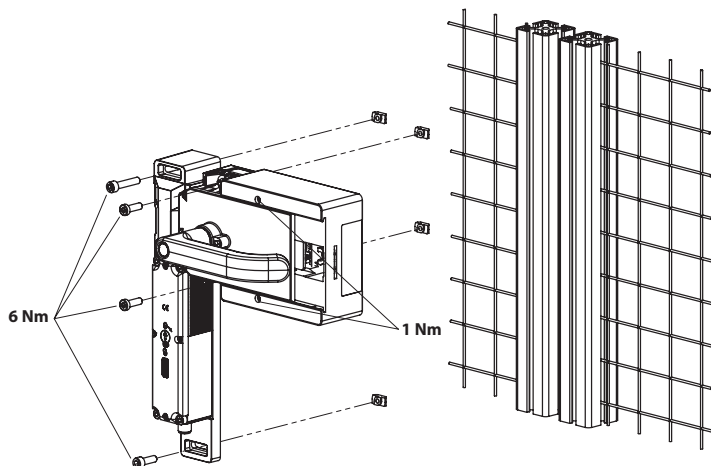


Fig. 2: Mounting without escape release and without inner door handle

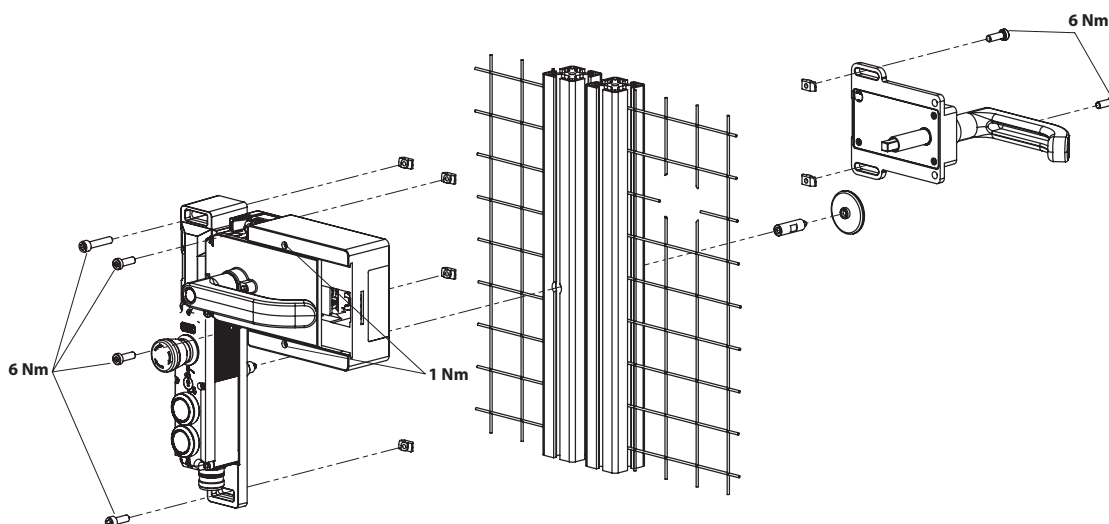
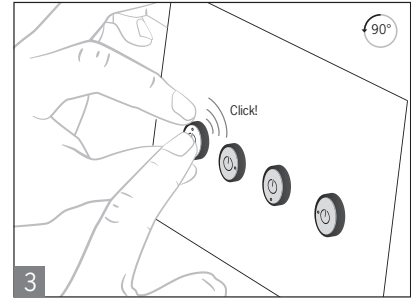
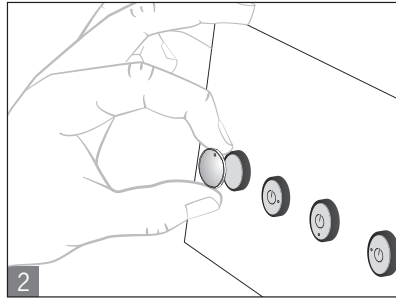
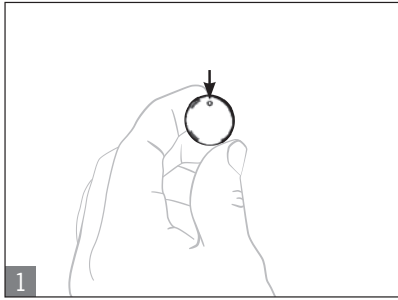


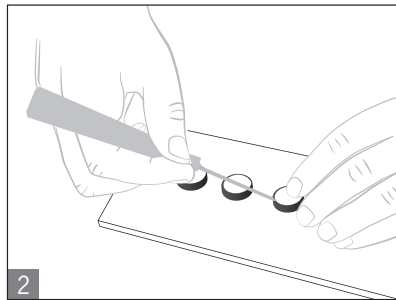
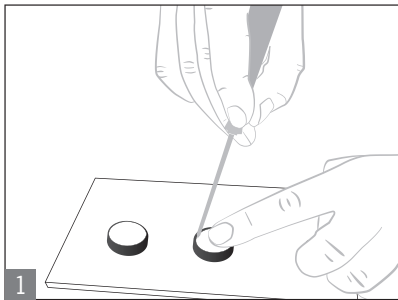
Fig. 3: Mounting with escape release and inner door handle

10.2. Mounting lens

Mounting



Removal



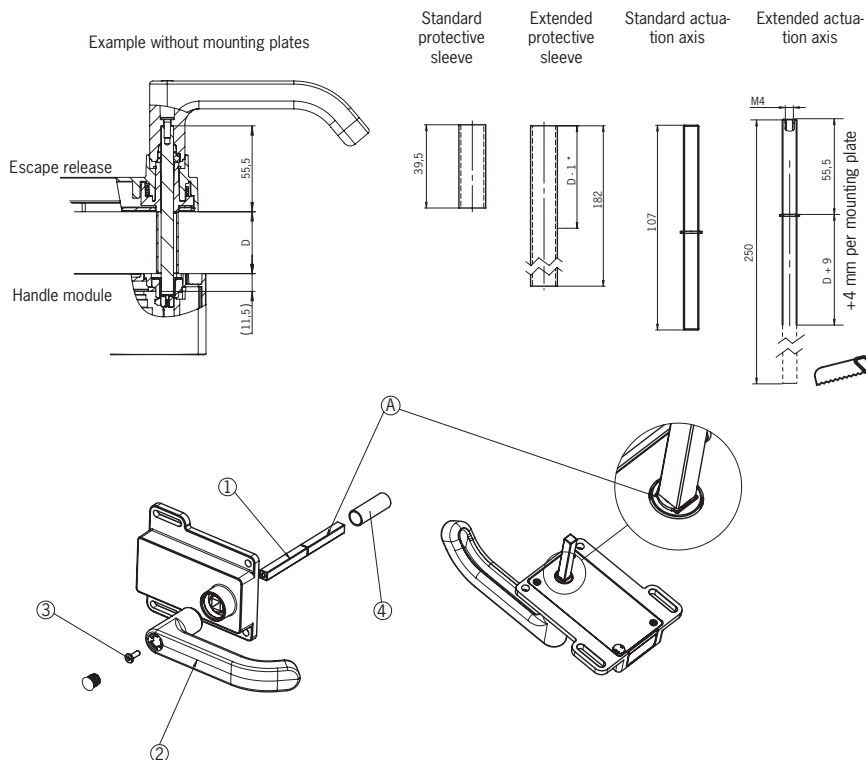
10.3. Preparation for inner door handle AE-R-S1



NOTICE

Various inner door handles with different axis lengths are available, as well as mounting plates and door handles/door knobs. You will find further information at www.euchner.com.

Profile width D	Required length Actuation axis		Which EUCHNER parts are required?	Necessary work steps
	Without plates D+9	With mounting plates (4 mm each) D+17		
30 mm	39 mm	47 mm	Standard inner door handle with 107 mm axis (order no. 158322)	Shorten to required length
40 mm	49 mm	57 mm	Standard inner door handle with 107 mm axis (order no. 158322) If necessary, extended actuation axis (order no. 106761)	Without <i>mounting plates</i> : None With <i>mounting plates</i> : Use extended actuation axis and protective sleeve and shorten to required length
45 mm	54 mm	62 mm	Standard inner door handle with 107 mm axis (order no. 158322) and extended actuation axis (order no. 106761)	Use extended actuation axis and protective sleeve and shorten to required length
50 mm	59 mm	67 mm	Standard inner door handle with 107 mm axis (order no. 158322) and extended actuation axis (order no. 106761)	Use extended actuation axis and protective sleeve and shorten to required length



① Insert actuation axis.

The snap ring A must be in contact with the inner door handle B.

② Fit door handle.

③ Tighten fixing screw to 2 Nm.

④ Fit protective sleeve.

11. Electrical connection


The following connection options are available:

- › Separate operation
- › Series connection with Y-distributors from EUCHNER (only with M12 plug connector)
- › Series connection, e.g. with wiring in the control cabinet
- › Operation on an AR evaluation unit (not for MGBS Extended).



WARNING

In the event of a fault, loss of the safety function due to incorrect connection.

- › To ensure safety, both safety outputs  (FO1A and FO1B) must always be evaluated.
- › Monitoring outputs must not be used as a safety output.
- › Lay the connecting cables with protection to prevent the risk of short circuits.



CAUTION

Risk of damage to equipment or malfunctions as a result of incorrect connection.

- › The power supply for the evaluation electronics is isolated from the power supply for the guard locking solenoid.
- › Do not use a control system with pulsing or switch off the pulsing function in your control system. The device generates its own test pulses on the output lines FO1A/FO1B. A downstream control system must tolerate these test pulses, which may be up to 1 ms long on AR devices. The test pulses on AR devices are also output when the safety outputs are switched off. Depending on the inertia of the downstream device (control system, relay, etc.), this can lead to short switching processes.
- › The inputs on a connected evaluation unit must be positive switching, as the two outputs on the locking module deliver a level of +24 V in the switched-on state.
- › All electrical connections must either be isolated from the mains supply by a safety transformer according to IEC 61558-2-6 with limited output voltage in the event of a fault, or by other equivalent insulation measures (PELV).
- › All electrical outputs must have an adequate protective circuit for inductive loads. The outputs must be protected with a free-wheeling diode for this purpose. Varistors and RC interference suppression units must not be used.
- › Power devices which are a powerful source of interference must be installed in a separate location away from the input and output circuits for signal processing. The cable routing for safety circuits should be as far away as possible from the cables of the power circuits.
- › To avoid EMC interference, the physical environmental and operating conditions at the installation site of the device must comply with the requirements according to the standard EN IEC 60204-1:2006, section 4.4.2 (EMC).
- › In devices with IMP/IMM inputs, the power supply for the evaluation electronics is separate from the power supply for the guard locking solenoid.
- › If different power supplies are used, they must have the same reference potential.



CAUTION

Please pay attention to any interference fields from devices such as frequency converters or induction heating systems. Observe the EMC instructions in the manuals from the respective manufacturer.



Important!

If the device does not appear to function when operating voltage is applied (e.g. green STATE LED does not flash), the locking module must be returned unopened to the manufacturer.

11.1. Notes about UL



Important!

- This device is intended to be used with a Class 2 power source in accordance with UL1310¹⁾. Alternative solutions must comply with the following requirements:
This device shall be used with a suitable isolating source in conjunction with a fuse in accordance with UL248. The fuse shall be rated max. 3.3 A and be installed in the max. 30 V DC power supply to the device in order to limit the available current.
- For use and application as per the requirements of UL ¹⁾ a connecting cable listed under the UL category code CYJV/7, min. 24 AWG, min. 80 °C, must be used.

1) Note on the scope of the UL approval: the devices have been tested as per the requirements of UL508 and CSA/ C22.2 no. 14 (protection against electric shock and fire).

11.2. Safety in case of faults

- The operating voltage U_B and the solenoid voltage IMP are reverse polarity protected.
- The safety outputs $FO1A/FO1B$ are short circuit-proof.
- A short circuit between $FO1A$ and $FO1B$ is detected by the locking module.
- A short circuit in the cable can be excluded by laying the cable with protection.

11.3. Fuse protection for power supply

The power supply must be provided with fuse protection depending on the number of locking modules and current required for the outputs. The following rules apply:

Max. current consumption of an individual locking module I_{max}

$$I_{max} = I_{UB} + I_{FO1A+FO1B} + I_{OL} + I_{OD}$$

I_{UB} = Operating current of locking module (40 mA)

I_{OL}/I_{OD} = Load current of monitoring outputs (max. 50 mA per monitoring output)

$I_{FO1A+FO1B}$ = Load current of safety outputs $FO1A + FO1B$ (2 x max. 150 mA)

Max. current consumption of a switch chain ΣI_{max}

$$\Sigma I_{max} = I_{FO1A+FO1B} + n \times (I_{UB} + I_{OL} + I_{OD})$$

n = Number of locking modules connected

11.4. Requirements for connecting cables



CAUTION

Risk of damage to equipment or malfunctions as a result of incorrect connecting cables.

- › Use connection components and connecting cables from EUCHNER.
- › If other connection components are used, the requirements in the following table apply. EUCHNER provides no warranty for safe function in case of failure to comply with these requirements.

Observe the following requirements with respect to the connecting cables:

For locking modules MGBS-...-AR-...-SAB-... with plug connectors 2 x M12

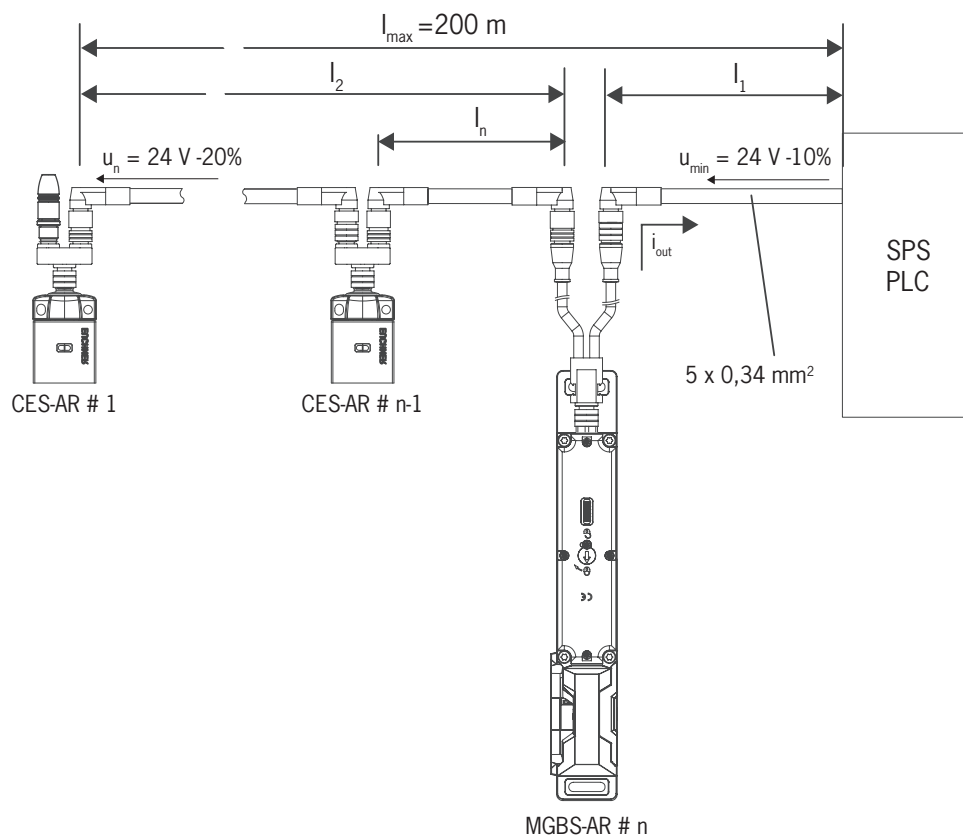
Parameter	Value	Unit
Conductor cross-section, min.	0.25	mm ²
R max.	60	Ω/km
C max.	120	nF/km
L max.	0.65	mH/km
Recommended cable type	LIYY 8 x 0.25 mm ² or 5 x 0.34 mm ²	

For locking modules MGBS-...-AR-...-SH-... with plug connector M23 (RC18)

Parameter	Value	Unit
Conductor cross-section, min.	0.25	mm ²
R max.	60	Ω/km
C max.	120	nF/km
L max.	0.65	mH/km
Recommended cable type	LIFY11Y min. 19-core	

11.5. Maximum cable lengths

Switch chains are permitted up to a maximum overall cable length of 200 m taking into account the voltage drop as a result of the cable resistance (see table below with example data and case example).



n Max. number of locking modules	$I_{F01A/F01B}$ (mA) Possible output current per channel F01A/F01B	l_1 (m) Max. cable length from the last locking module to the control system
5	10	150
	25	100
	50	80
	100	50
	150	25
6	10	120
	25	90
	50	70
	100	50
	150	25
10	10	70
	25	60
	50	50
	100	40
	150	25

11.5.1. Determining cable lengths using the example table

Example: 6 locking modules are to be used in series. Cabling with a length of 40 m is routed from a safety relay in the control cabinet to the last locking module (#6). Cables with a length of 20 m each are connected between the individual locking modules CES-AR/MGBS-L1-...

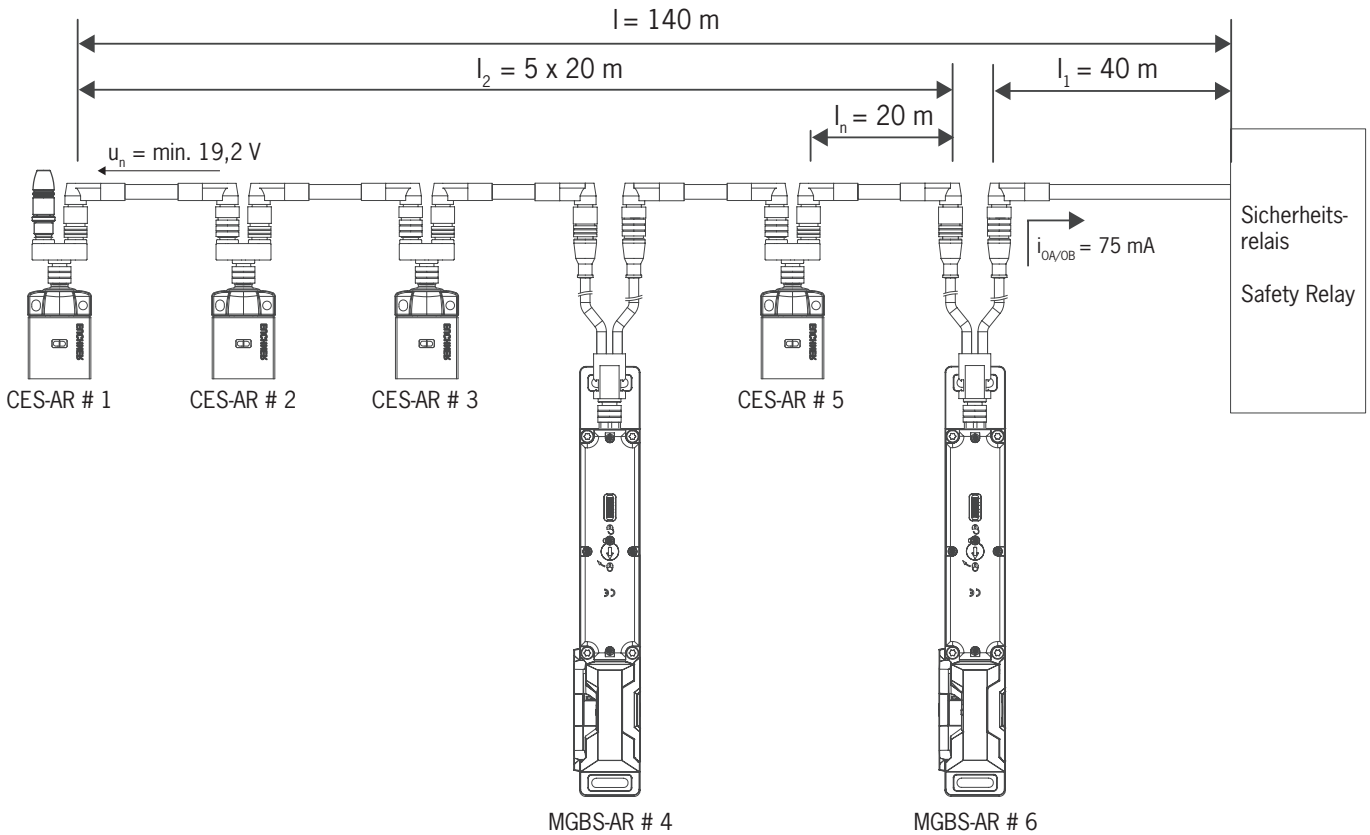


Fig. 4: Circuit example with six CES-AR/MGBS-L1-...

A safety relay is connected downstream that consumes 75 mA of current at each of the two safety inputs. It operates over the whole temperature range with a voltage of 19.2 V (corresponds to 24 V - 20%).

All the relevant values can now be determined using the example table:

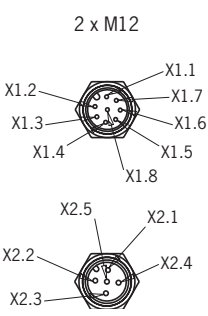


1. Select the corresponding section in the column n (max. number of locking modules). In this case: 6 locking modules.
 2. In the column $I_{F01A/F01B}$ (possible output current per channel F01A/F01B), find a current greater than or equal to 75 mA. In this case: 100 mA.
- ➔ It is then possible to determine the maximum cable length from the last locking module (#6) to the control system from the column l_1 . In this case, a length of 50 m is permitted.

Result: The desired cable length l_1 of 40 m is below the permitted value from the table. The overall length of the switch chain l_{max} of 140 m is less than the maximum value of 200 m.

➔ The planned application is therefore functional in this form.

11.6. Connector assignment of locking module MGBS-...-AR-...-SAB-... with plug connectors 2 x M12

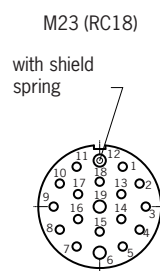


Wiring diagram A

Plug connector (view of connection side)	Pin	Designation	Function	Conductor coloring of connecting cable ¹⁾
	X 1.1	F11B	Enable input, channel B	WH
	X 1.2	UB	Operating voltage, 24 V DC	BN
	X 1.3	F01A	Safety output, channel A 	GN
	X 1.4	F01B	Safety output, channel B 	YE
	X 1.5	OL	Guard lock monitoring output	GY
	X 1.6	F11A	Enable input, channel A	PK
	X 1.7	OVUB	Electronics operating voltage, 0 V DC	BU
	X 1.8	RST	Reset input	RD
	X 2.1	IMM	Solenoid operating voltage, 0 V DC	BN
	X 2.2	OD	Door position monitoring output	WH
	X 2.3	OI	Diagnostic monitoring output	BU
	X 2.4	IMP	Solenoid operating voltage, 24 V DC	BK
	X 2.5	-	n.c.	GY

1) Only for standard EUCHNER connecting cable

11.7. Connector assignment of locking module MGBS-...-AR-...-SH-... with plug connector M23 (RC18)

Wiring diagram B

Plug connector (view of connection side)	Pin	Designation	Function	Conductor coloring of connecting cable ¹⁾
	1	IMP	Solenoid operating voltage, 24 V DC	VT
	2	F11A	Enable input, channel A	RD
	3	F11B	Enable input, channel B	GY
	4	F01A	Safety output, channel A 	RD/BU
	5	F01B	Safety output, channel B 	GN
	6	UB	Electronics operating voltage, 24 V DC	BU
	7	RST	Reset input	GY/PK
	8	OD	Door position monitoring output	GN/WH
	9	OI	Diagnostic monitoring output	YE/WH
	10	OL	Guard lock monitoring output	GY/WH
	11	-	n.c.	BK
	12	FE	Functional earth (must be connected to meet the EMC requirements)	GN/YE
	13	-	n.c.	PK
	14	-	n.c.	BN/GY
	15	-	n.c.	BN/YE
	16	-	n.c.	BN/GN
	17	-	n.c.	WH
	18	IMM	Solenoid operating voltage, 0 V DC	YE
	19	OVUB	Electronics operating voltage, 0 V DC	BN

1) Only for standard EUCHNER connecting cable

11.8. Connector assignment of Y-distributor

(only for version with plug connectors 2 x M12)



Important!

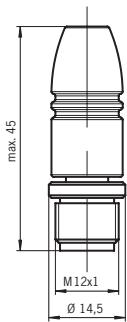
The switch chain must always be terminated with strapping plug 097645.

Connector assignment of locking module MGBS-L1... (plug X1, 8-pin plug) and Y-distributor (8-pin socket)

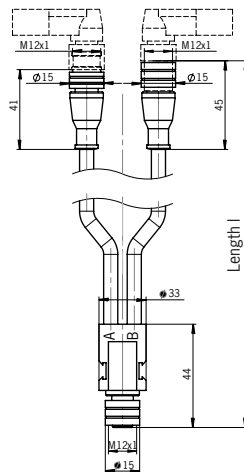
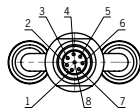
Pin	Function
X1.1	F11B
X1.2	UB
X1.3	F01A
X1.4	F01B
X1.5	OL
X1.6	F11A
X1.7	0 V
X1.8	RST

Y-distributor with connecting cable 111696 or 112395

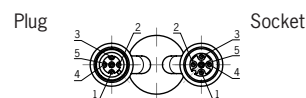
Strapping plug 097645
4-pin, plug
(figure similar)



Socket



Order no.	Length l [mm]
111696	200
112395	1,000




Pin	Function	Pin	Function
X2.1	UB	X3.1	UB
X2.2	F01A	X3.2	F11A
X2.3	0 V	X3.3	0 V
X2.4	F01B	X3.4	F11B
X2.5	RST	X3.5	RST

11.9. Connection of a single MGBS-AR

If a single MGBS-AR is used, connect the device as shown in Fig. 5. The monitoring outputs can be routed to a control system. The locking modules can be reset via the RST input. To do this, a voltage of 24 V is applied to the RST input for at least 3 s. The RST input must be connected to 0 V if it is not used.



WARNING

In the event of a fault, loss of the safety function due to incorrect connection.
 ▶ To ensure safety, both safety outputs  (FO1A and FO1B) must always be evaluated.



Important!

▶ The example shows only an excerpt that is relevant for the connection of the MGBS system. The example illustrated here does not show complete system planning. The user is responsible for safe integration into the overall system. Detailed application examples can be found at www.euchner.com. Simply enter the order number of your locking module in the search box. You will find all available connection examples for the device in *Downloads*.

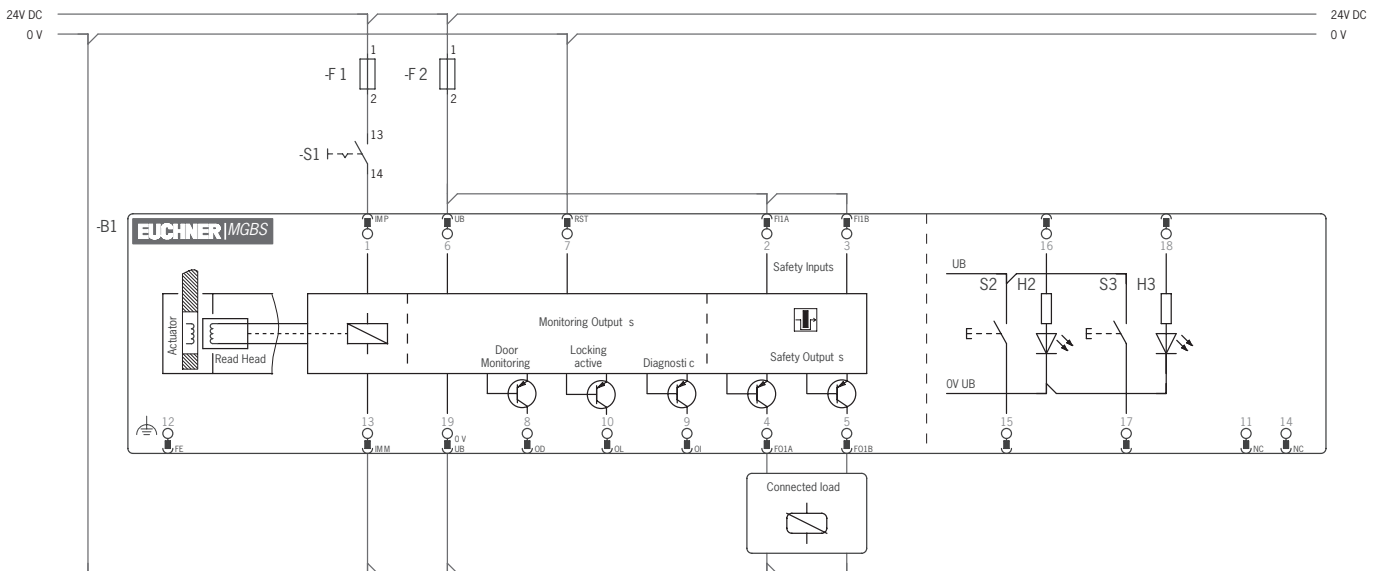


Fig. 5: Connection example for separate operation, version with plug connector M23

11.10. Connection of several MGBS-AR in a switch chain




Important!

- ▶ An AR switch chain may contain a maximum of 20 locking modules.
- ▶ The example shows only an excerpt that is relevant for the connection of the MGBS system. The example illustrated here does not show complete system planning. The user is responsible for safe integration into the overall system. Detailed application examples can be found at www.euchner.com. Simply enter the order number of your locking module in the search box. You will find all available connection examples for the device in *Downloads*.
- ▶ For information about the safety assessment for AR switch chains, see chapter 3. *Description of the safety function on page 6*.

The series connection is shown here based on the example of the version with plug connectors 2 x M12. The series connection of the version with plug connector RC18 has similar behavior, but is realized using additional terminals in a control cabinet.

The locking modules in the version with plug connectors 2 x M12 are connected one after the other with the aid of pre-assembled connecting cables and Y-distributors. If a guard is opened or if a fault occurs on one of the locking modules, the system shuts down the machine. A higher-level control system cannot, however, detect which guard is open or on which locking module a fault has occurred with this connection technology.

The safety outputs  are permanently assigned to the respective safety inputs of the downstream locking module. FO1A must be routed to FI1A and FO1B to FI1B. If the connections are interchanged (e.g. FO1A to FI1B), the device will enter the fault state.

Always use the RST input in series connections. All locking modules in a chain can be reset at the same time with this reset input. To do this, a voltage of 24 V must be applied to the RST input for at least 3 s. If the RST input is not used in your application, it must be connected to 0 V.

Note the following on this aspect:

- ▶ A common signal must be used for all locking modules in the chain. This can be a changeover switch or the output of a control system. A pushbutton is not suitable because the reset must always be connected to GND during operation (see switch S3 in Fig. 6 on page 30).
- ▶ Reset must always be performed simultaneously for all locking modules in the chain.

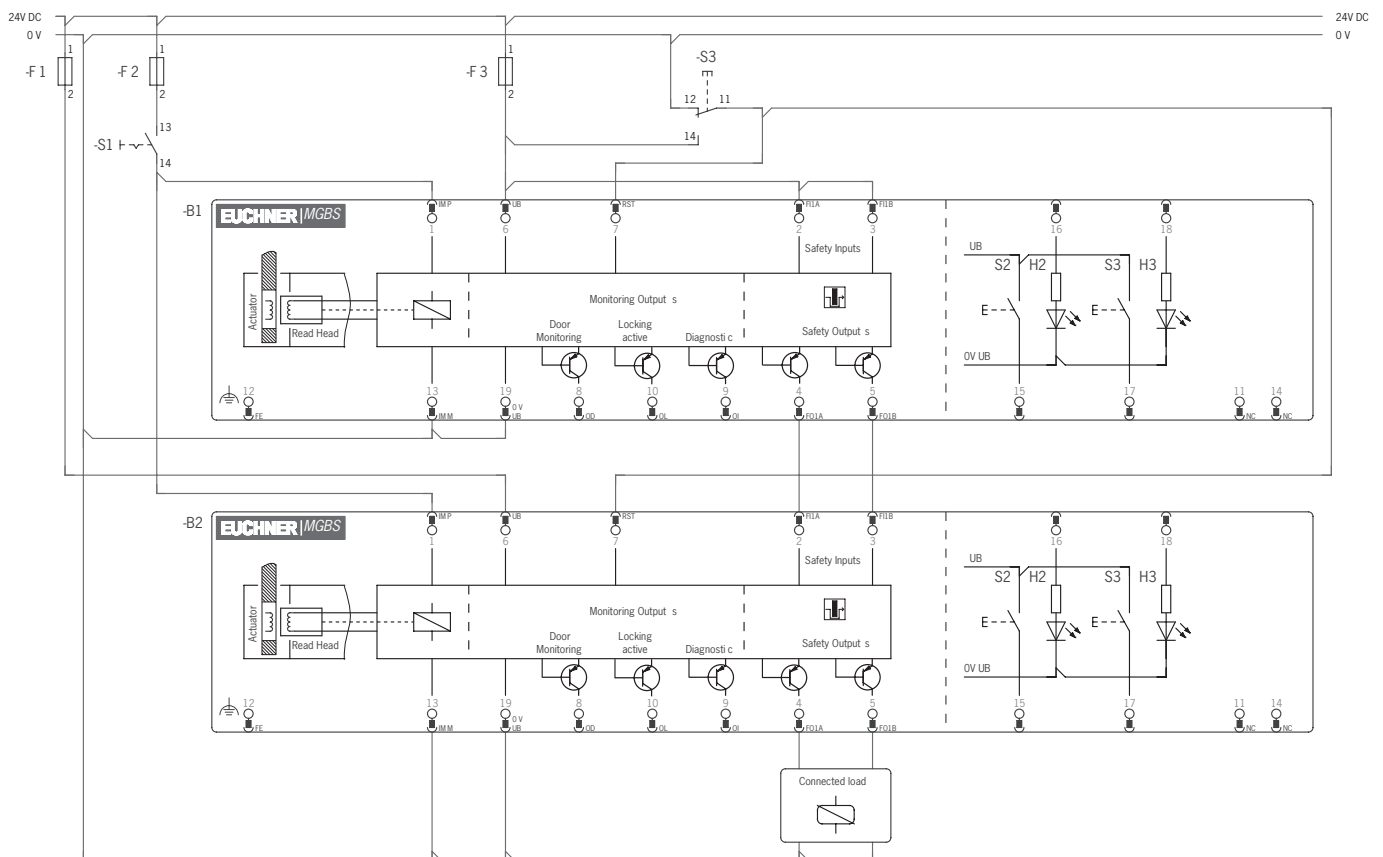


Fig. 6: Connection example for a switch chain; version with plug connector M23

11.11. Notes on operation on an AR evaluation unit

Some devices can be operated on an AR evaluation unit.

Please refer to the operating instructions for the relevant AR evaluation unit for further information.

Each of the devices occupies two monitoring outputs on the AR evaluation unit. The first monitoring output signals the guard position (HIGH when the guard is closed). The second monitoring output signals the position of guard locking (HIGH when guard locking is active).




NOTICE

Devices in the Extended version cannot be used with AR evaluation units.

11.12. Notes on operation with safe control systems

Observe the following guidelines for connection to safe control systems:

- ▶ Use a common power supply for the control system and the locking modules connected.
- ▶ A pulsed power supply must not be used for UB. Tap the supply voltage directly from the power supply unit. If the power supply is connected to a terminal of a safe control system, this output must provide sufficient electrical current.
- ▶ Always connect inputs FI1A and FI1B directly to a power supply unit or to outputs FO1A and FO1B of another EUCHNER AR device (series connection). Pulsed signals must not be present at inputs FI1A and FI1B.
- ▶ The safety outputs  (FO1A and FO1B) can be connected to the safe inputs of a control system. Prerequisite: the input must be suitable for pulsed safety signals (OSSD signals, e.g. from light grids). The control system must tolerate test pulses on the input signals. This normally can be set up by parameter assignment in the control system. Observe the notes of the control system manufacturer. For the pulse duration of your locking module, please refer to chapter 14. *Technical data on page 38.*
- ▶ The following applies to single-channel control of guard locking:
 - The guard locking (IMM) and the control system must have the same ground.
- ▶ For dual-channel control of the solenoid voltage by safe outputs of a control system, the following points must be observed (see also Fig. 7 on page 31):
 - If possible, switch off the pulsing of the outputs in the control system.
 - Clock pulses up to a length of max. 5 ms are tolerated.

A detailed example of connecting and setting the parameters of the control system is available for many devices at www.euchner.com, in the area *Download/Applications/MGBS*. The features of the respective device are dealt with there in greater detail.

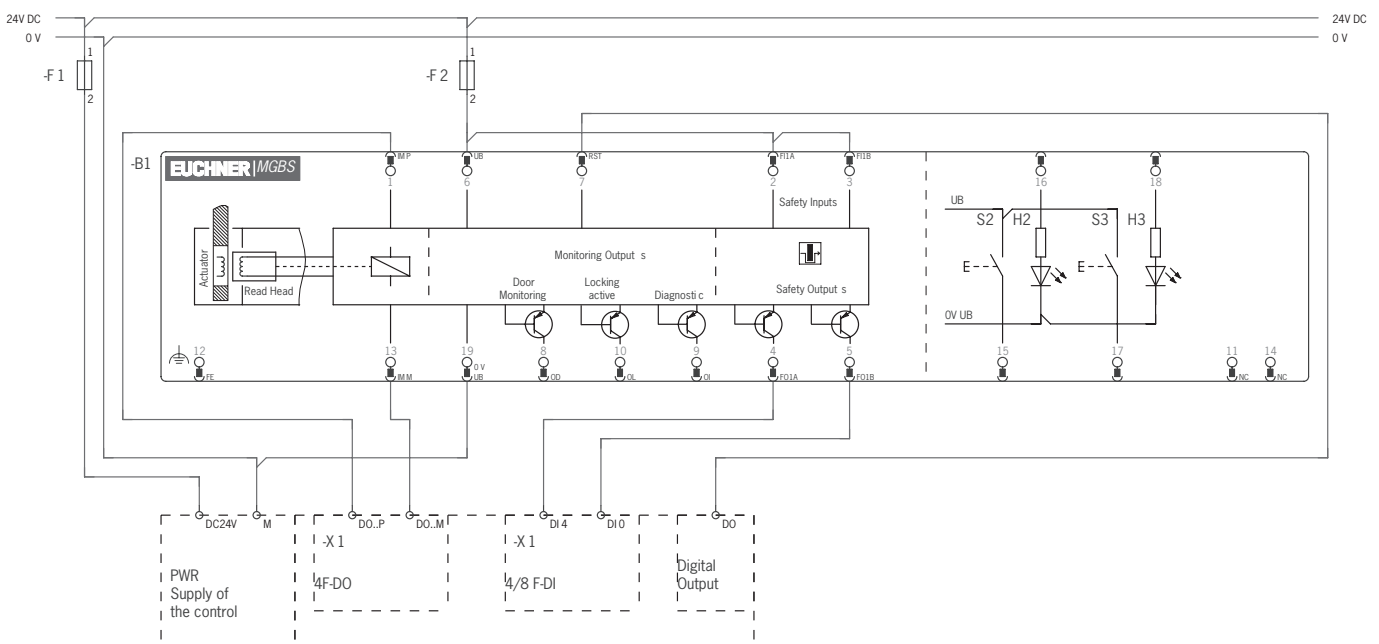


Fig. 7: Connection example for the connection to ET200

11.13. Connection of guard locking control

11.13.1. Guard locking control for variants with IMM connection

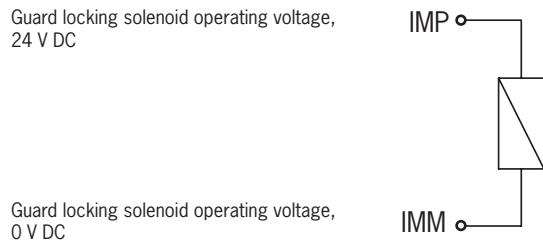


Fig. 8: Connection example with IMM connection

11.13.2. Guard locking control for variants without IMM connection

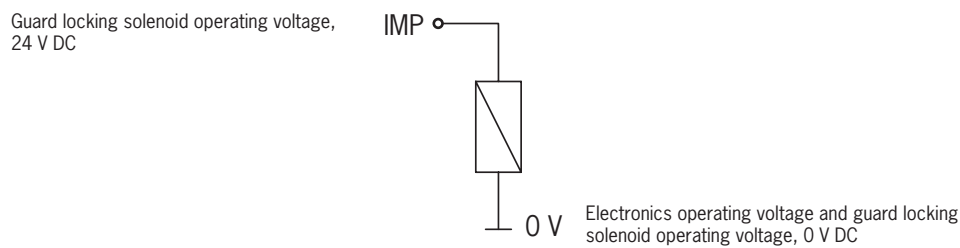


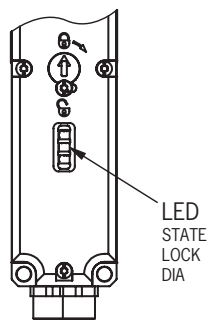
Fig. 9: Connection example without IMM connection

12. Setup

12.1. LED displays

You will find a detailed description of the signal functions in chapter 13. *System status table on page 36.*

LED	Color
STATE	green
LOCK	yellow
DIA	red



12.2. Teach-in function for handle module (only for unicode evaluation)

The handle module must be assigned to the locking module using a teach-in function before the system forms a functional unit.

During a teach-in operation, the safety outputs are switched off, i.e. the system is in the safe state.

The teach-in operation is automatic. The number of possible teach-in operations is unlimited.



Tip!

Prior to switching on, close the guard on which the handle module to be taught-in is installed. The teach-in operation starts immediately after switching on. This feature simplifies above all teach-in with series connections and on large installations.



Important!

- › The teach-in operation can be performed only if the device does not have any internal fault.
- › Devices in the condition as supplied remain in teach-in standby until you have successfully taught-in the first handle module. Once taught-in, locking modules remain in teach-in standby for approx. 3 min. after each switch-on.
- › The locking module disables the code for the previous handle module if teach-in is carried out for a new handle module. Teach-in is not possible again immediately for this device if a new teach-in operation is carried out. The disabled code is released again in the locking module only after a third code has been taught-in.
- › The locking module can be operated only with the last handle module taught-in.
- › If, in teach-in standby, the locking module detects the handle module last taught-in, teach-in standby is ended immediately and the locking module changes to the normal state.
- › The handle module to be taught-in is not activated if it is within the actuating range for less than 30 s.

12.2.1. Teaching-in handle module

1. Establish teach-in standby:
 - Devices in the condition as supplied: unlimited teach-in standby after switching on
 - Locking module already taught-in: teach-in standby is available for approx. 3 min. after switching on
- ➔ Teach-in standby indication, STATE LED flashes 3x repeatedly.
2. Insert the bolt tongue on the handle module during teach-in standby.
 - ➔ The automatic teach-in operation starts (duration approx. 30 s).
During the teach-in operation, the STATE LED flashes (approx. 1 Hz).
Alternate flashing of the STATE and DIA LEDs acknowledges the successful teach-in operation.
Teach-in errors are indicated by the illumination of the red DIA LED and a flashing code of the green STATE LED (see chapter 13. *System status table on page 36*).
3. Switch off operating voltage UB (min. 3 s).
 - ➔ The code of the handle module that was just taught-in is activated in the locking module.
4. Switch on operating voltage UB.
 - ➔ The device operates normally.

12.2.2. Teach-in function with series connection, replacing and teaching-in device

It is recommended not to teach-in the handle modules in the series connection but to teach them in one by one instead. Teach-in in a series connection works analogously to separate operation in principle. It is a prerequisite that the steps below are followed. Further steps might have to be observed for mixed switch chains (e.g. for chains with CES and CET). Observe the operating instructions for the other devices in the chain for this purpose.

Work on the wiring (e.g. during device replacement) should generally be performed in a de-energized state. On certain systems, it is nevertheless necessary to perform this work and subsequent teach-in during ongoing operation.

The RST input must be connected as shown in *Fig. 6 on page 30* to permit this.

Proceed as follows:

1. Open the guard on which the locking module or handle module is to be replaced.
2. Mount the new locking module or handle module and prepare it for the teach-in operation (see chapter 12.2.1. *Teaching-in handle module on page 34*).
3. Close all guards in the chain and activate guard locking.
4. Actuate the reset for at least 3 s (24 V on RST).
 - ➔ On the locking module at which a new handle module is positioned, the green LED flashes at approx. 1 Hz and the handle module is taught-in. This takes approx. 30 s. Do not switch off during this time and do not actuate reset! The teach-in operation is complete when the STATE and DIA LEDs flash alternately.
5. Actuate the reset for at least 3 s (24 V on RST).
 - ➔ The system restarts and then continues to function in normal operation.

12.3. Functional check



WARNING

Danger of fatal injury as a result of faults in installation and the functional check.

- › Before carrying out the functional check, make sure that there are no persons in the danger area.
- › Observe the valid accident prevention regulations.

12.3.1. Mechanical function test

The bolt tongue on the handle module must slide easily into the actuating head. Close the guard several times to check the function. For devices with mechanical release (emergency release or escape release), the correct function of the release must be checked as well.

12.3.2. Electrical function test

After installation and any fault, the safety function must be fully checked. Proceed as follows:

1. Switch on operating voltage.
 - ➔ The machine must not start automatically.
 - ➔ The locking module carries out a self-test. The green STATE LED flashes for 10 s at 5 Hz. The green STATE LED then flashes at regular intervals.
2. Close all guards. In case of guard locking by solenoid force: activate guard locking.
 - ➔ The machine must not start automatically. It must not be possible to open the guard.
 - ➔ The green STATE LED and the yellow LOCK LED are illuminated continuously.
3. Enable operation in the control system.
 - ➔ It must not be possible to deactivate guard locking as long as operation is enabled.
4. Disable operation in the control system and deactivate guard locking.
 - ➔ The guard must remain locked until there is no longer any risk of injury.
 - ➔ It must not be possible to start the machine as long as the guard locking is deactivated.

Repeat steps 2 - 4 for each guard.

13. System status table

Operating mode	Actuator/door position	Safety outputs FO1A and FO1B	Guard lock monitoring output OL	Door position monitoring output OD	LED indicator Output		LOCK (yellow)	State
					STATE (green)	DIA (red) and diagnostic monitoring output OI		
Self-test	X	off	off	off	5 Hz (10 s)	○	○	Self-test after power-up
Normal operation	closed	on	on	on		○		Normal operation, door closed and locked
	closed	off	on	on	1 x inverse	○		Normal operation, door closed and locked, safety outputs not switched because: - Preceding device in the switch chain signals <i>door open</i> (only with series connection)
	closed	off	off	on	1 x inverse	○	○	Normal operation, door closed and not locked
	open	off	off	off	1 x	○	○	Normal operation, door open
Teach-in operation (only unicode)	open	off	off	off	3 x	○	○	Device in teach-in standby
	closed	off	X	on	1 Hz	○	○	Teach-in operation
	X	off	X	X	↔	○	○	Positive acknowledgment after completion of teach-in operation
Fault display	X	off	X	X	1 x		○	Fault in teach-in operation (only unicode). Actuator removed from the actuating range prior to the end of the teach-in operation or faulty actuator detected.
	X	off	off	off	2 x		○	Input error (e.g. missing test pulses, illogical switch state from previous switch in the switch chain)
	X	off	off	off	3 x		○	Read error (e.g. actuator faulty)
	X	off	off	off	4 x		○	Output error (e.g. short circuit, loss of switching ability)
	X	off	X	X	5 x		○	Disabled actuator detected
	X	off	off	off	○		X	Internal fault

Key to symbols			LED not illuminated
			LED illuminated
			LED illuminated, briefly goes off 1 x
			LED flashes for 10 s at 5 Hz
			LED flashes three times, and this is then repeated
			LEDs flash alternately
	X		Any state

After the cause has been remedied, faults can generally be reset by opening and closing the guard. If the fault is still displayed afterward, use the reset function or briefly interrupt the power supply. Contact the manufacturer if the fault could not be reset after restarting.

**Important!**

If you do not find the displayed device status in the system status table, this indicates an internal device fault. In this case, you should contact the manufacturer.

14. Technical data



NOTICE

If a data sheet is included with the product, the information on the data sheet applies.

14.1. Technical data for locking module MGBS-AR

Parameter	Value			Unit
	min.	typ.	max.	
General				
Material				
- Switch head	Die-cast zinc			
- Switch housing	Reinforced thermoplastic			
Installation position	Any			
Degree of protection	with plug connector M12	IP67/IP69/IP69K		
	with plug connector M23	IP67		
	(screwed tight with the related mating connector)			
Safety class acc. to EN IEC 61558	III			
Degree of contamination	3			
Mechanical life	1 x 10 ⁶ operating cycles			
Ambient temperature at UB = 24 V	-20	-	+55	°C
Handle module approach speed, max.	20			m/min.
Actuating/extraction/retention force at 20 °C	10/20/20			N
Locking force F _{max} ¹⁾	3,900			N
Locking force F _{Zh} ¹⁾ acc. to EN ISO 14119	F _{Zh} = F _{max} /1.3 = 3,000			N
Connection (depending on version)	2 plug connectors M12, 5- and 8-pin / 1 plug connector RC18, 19-pin			
Operating voltage UB (reverse polarity protected, regulated, residual ripple <5%)	24 ± 15% (PELV)			V DC
Current consumption I _{UB}	40			mA
The following applies to the approval acc. to UL	Operation only with UL Class 2 power supply or equivalent measures			
Switching load acc. to UL	DC 24 V, class 2			
External fuse (operating voltage UB) ²⁾	0.25	-	8	A
External fuse (solenoid operating voltage IMP) ²⁾	0.5	-	8	A
Rated insulation voltage U _i	-	-	50	V
Rated impulse withstand voltage U _{imp}	-	-	0.5	kV
Rated conditional short-circuit current	100			A
Shock and vibration resistance	Acc. to EN IEC 60947-5-3			
EMC protection requirements	Acc. to EN IEC 60947-5-3			
Ready delay	-	8	11	s
Risk time for single device	-	-	260	ms
Risk time delay per device	5			ms
Turn-on time	-	-	400	ms
Discrepancy time	-	-	10	ms
Test pulse duration	1			ms
Frequency band	120 ... 130			kHz
Safety outputs F01A/F01B Semiconductor outputs, p-switching, short circuit-proof				
Output voltage U _{F01A} /U _{F01B} ³⁾				
- HIGH U _{F01A} /U _{F01B}	UB - 1.5	-	UB	V DC
- LOW U _{F01A} /U _{F01B}	0	-	1	
Switching current per safety output	1	-	150	mA
Utilization category acc. to EN IEC 60947-5-2	DC-13 24V 150mA Caution: outputs must be protected with a free-wheeling diode in case of inductive loads			
Switching frequency ⁴⁾	0.5			Hz

Parameter	Value			Unit
	min.	typ.	max.	
Monitoring outputs OL, OI, OD		p-switching, short circuit-proof		
Output voltage	0.8 x UB	-	UB	V DC
Max. load	-	-	50	mA
Solenoid				
Solenoid operating voltage IMP (reverse polarity protected, regulated, residual ripple < 5%)	DC 24 V +10%/-15%			
Solenoid current consumption I _{IMP}	400			mA
Connection rating	6			W
Duty cycle	100			%
Characteristics acc. to EN ISO 13849-1				
Mission time	20			years
Monitoring of guard locking and the guard position				
Category	4			
Performance Level (PL)	e			
PFH	4.1 x 10 ⁻⁹ /h			
Control of guard locking				
Category	Depends on external control (applies only to guard locking devices according to the closed-circuit current principle)			
Performance Level (PL)				
PFH				

1) Dependent on the handle module used.

2) Trip characteristic medium slow-blow.

3) Values at a switching current of 50 mA without taking into account the cable lengths.


4) Corresponds to the actuation frequency.


14.1.1. Typical system times

Please refer to the technical data for the exact values.

Ready delay: After switch-on, the device carries out a self-test. The system is ready for operation only after this time.

Turn-on time of safety outputs: The max. reaction time t_{on} is the time from the moment when the guard is locked to the moment when the safety outputs switch on.

Simultaneity monitoring of safety inputs FI1A/FI1B: If the safety inputs have different switching states for longer than a specific time, the safety outputs  (FO1A and FO1B) will be switched off. The device enters the fault state.

Risk time according to EN IEC 60947-5-3: If a handle module moves outside the actuating range, the safety outputs  (FO1A and FO1B) are deactivated at the latest after the risk time.

If several devices are operated in a series connection, the risk time of the overall device chain will increase with each device added. Use the following calculation formula:


$$t_r = t_{r,e} + (n \times t_i)$$


t_r = Total risk time

$t_{r,e}$ = Risk time for single device (see technical data)

t_i = Risk time delay per device

n = Number of additional devices (total number -1)

Discrepancy time: The safety outputs  (FO1A and FO1B) switch with a slight time offset. They have the same signal state no later than after the discrepancy time.

Test pulses at the safety outputs: The device generates its own test pulses on the safety outputs  (FO1A and FO1B). A downstream control system must tolerate these test pulses.

This can usually be set up in the control systems by parameter assignment. If parameter assignment is not possible for your control system or if shorter test pulses are required, please contact our support organization.

The test pulses are also output when the safety outputs are switched off.

14.2. Radio frequency approvals

FCC ID: 2AJ58-05

IC: 22052-05



FCC/IC-Requirements

This device complies with part 15 of the FCC Rules and with Industry Canada's licence-exempt RSSs. Operation is subject to the following two conditions:

- 1) This device may not cause harmful interference, and
- 2) this device must accept any interference received, including interference that may cause undesired operation.

Changes or modifications not expressly approved by the party responsible for compliance could void the user's authority to operate the equipment.

NOTE: This equipment has been tested and found to comply with the limits for a Class A digital device, pursuant to part 15 of the FCC Rules. These limits are designed to provide reasonable protection against harmful interference when the equipment is operated in a commercial environment. This equipment generates, uses, and can radiate radio frequency energy and, if not installed and used in accordance with the instruction manual, may cause harmful interference to radio communications.

Operation of this equipment in a residential area is likely to cause harmful interference in which case the user will be required to correct the interference at his own expense.

Le présent appareil est conforme aux CNR d'Industrie Canada applicables aux appareils radio exempts de licence. L'exploitation est autorisée aux deux conditions suivantes :

- (1) l'appareil ne doit pas produire de brouillage, et
- (2) l'utilisateur de l'appareil doit accepter tout brouillage radioélectrique subi, même si le brouillage est susceptible d'en compromettre le fonctionnement.

Supplier's Declaration of Conformity

47 CFR § 2.1077 Compliance Information

Unique Identifier:

MGBS-P-I-AR SERIES
MGBS-P-I1-AR SERIES
MGBS-P-I2-AR SERIES
MGBS-P-IBI-AR SERIES
MGBS-P-L1-AR SERIES
MGBS-P-L2-AR SERIES
MGBS-P-LBI-AR SERIES
MGBS-P-I-AP SERIES
MGBS-P-I1-AP SERIES
MGBS-P-I2-AP SERIES
MGBS-P-IBI-AP SERIES
MGBS-P-L1-AP SERIES
MGBS-P-L2-AP SERIES
MGBS-P-LBI-AP SERIES

Responsible Party – U.S. Contact Information

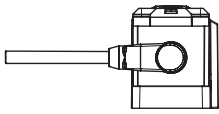
EUCHNER USA Inc.

1665 N. Penny Lane
Schaumburg
Illinois 60173

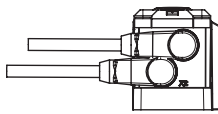
+1 315 701-0315
info(at)euchner-usa.com
<http://www.euchner-usa.com>

14.3. Dimension drawings for variants

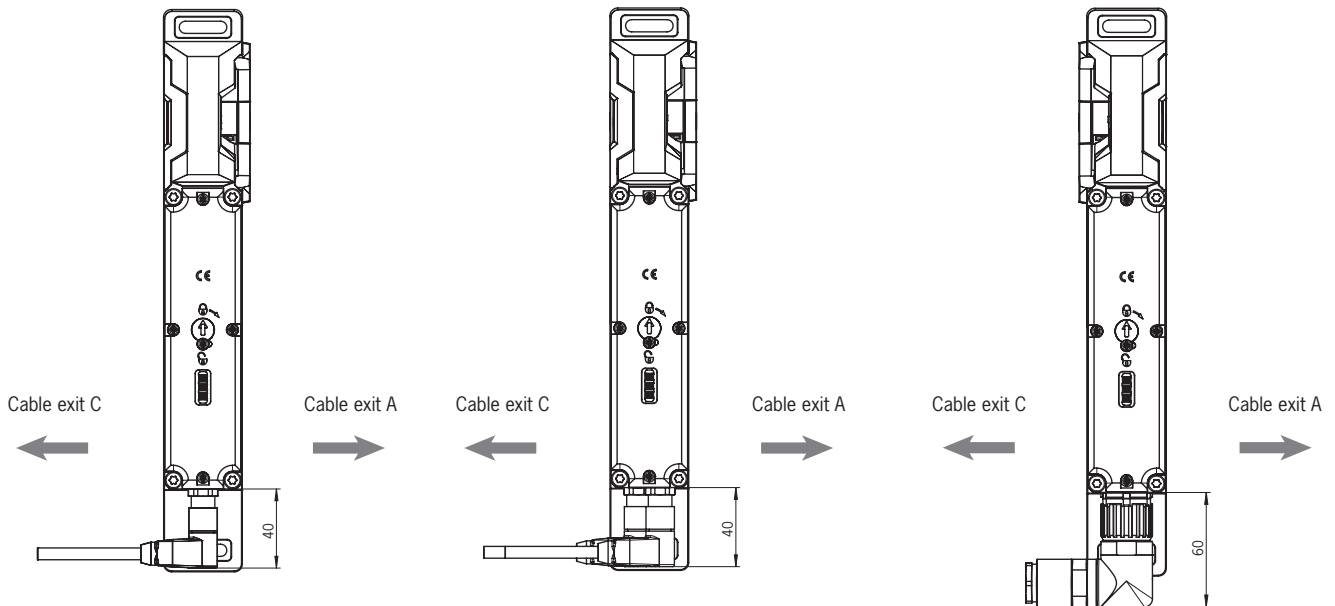
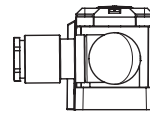
Plug connector M12



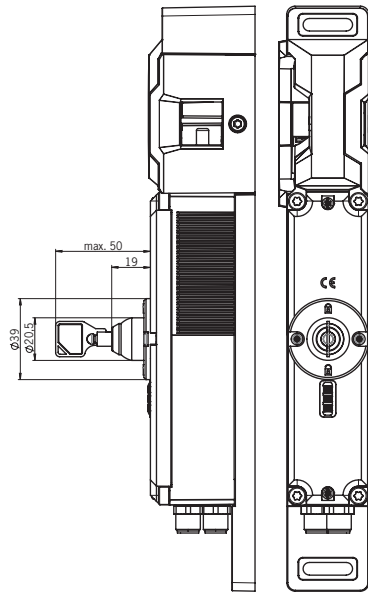
Plug connectors 2 x M12



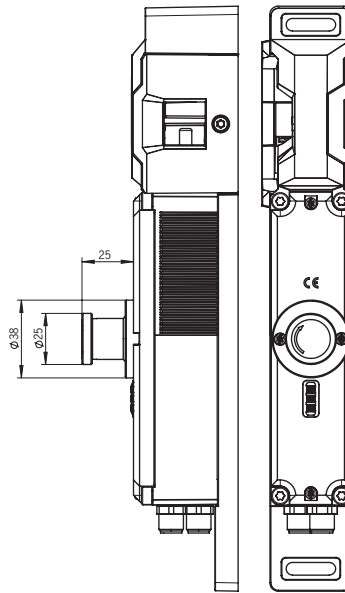
Plug connector M23



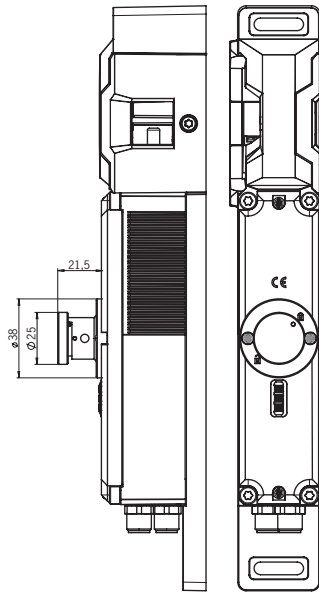
With auxiliary key release



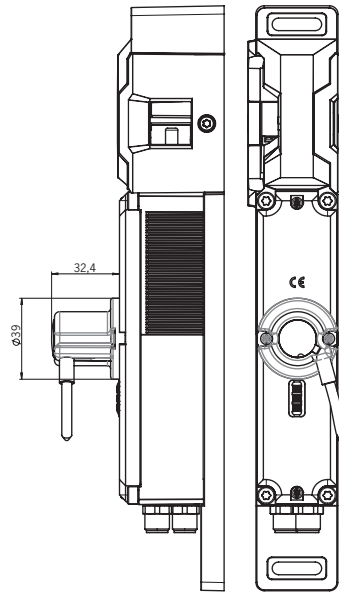
With release, automatic return



With emergency release



With wire front release (bowden)



15. Ordering information and accessories



Tip!

Suitable accessories, e.g. cables or assembly material, can be found at www.euchner.com. To order, enter the order number of your item in the search box and open the item view. Accessories that can be combined with the item are listed in *Accessories*.

16. Inspection and service



WARNING

Danger of severe injuries due to the loss of the safety function.

- › If damage or wear is found, the complete locking module and handle module must be replaced. Replacement of individual parts or assemblies is not permitted.
- › Check the device for proper function at regular intervals and after every fault. For information about possible time intervals, refer to EN ISO 14119:2025, section 9.2.1.

Regular inspection of the following is necessary to ensure trouble-free long-term operation:

- › Check the switching function (see chapter 12.3. *Functional check on page 35*)
- › Check all additional functions (e.g. escape release, lockout mechanism, etc.)
- › Check the secure mounting of the devices and the connections
- › Check for contamination.

No servicing is required. Repairs to the device are only allowed to be made by the manufacturer.



NOTICE

The year of manufacture is given in the laser marking at the bottom right corner. The current version number in the format (V X.X.X) can also be found on the device.

17. Service

If servicing is required, please contact:

EUCHNER GmbH + Co. KG
Kohlhammerstraße 16
70771 Leinfelden-Echterdingen

Service telephone:
+49 711 7597-500

E-mail:
support@euchner.de

Internet:
www.euchner.com

18. Declaration of conformity

The product complies with the following requirements:

- › Machinery Directive 2006/42/EC (until January 19, 2027)
- › Machinery Regulation (EU) 2023/1230 (from January 20, 2027)

The EU declaration of conformity can be found at www.euchner.com. Enter the order number of your device in the search box. The document is available under *Downloads*.

Euchner GmbH + Co. KG
Kohlhammerstraße 16
70771 Leinfelden-Echterdingen
info@euchner.de
www.euchner.com

Edition:
2527246-04-03/26

Title:
Operating Instructions Safety System MGBS-P-L.-AR...
(translation of the original operating instructions)

Copyright:
© EUCHNER GmbH + Co. KG, 03/2026

Subject to technical modifications; no responsibility is accepted for the accuracy of this information.